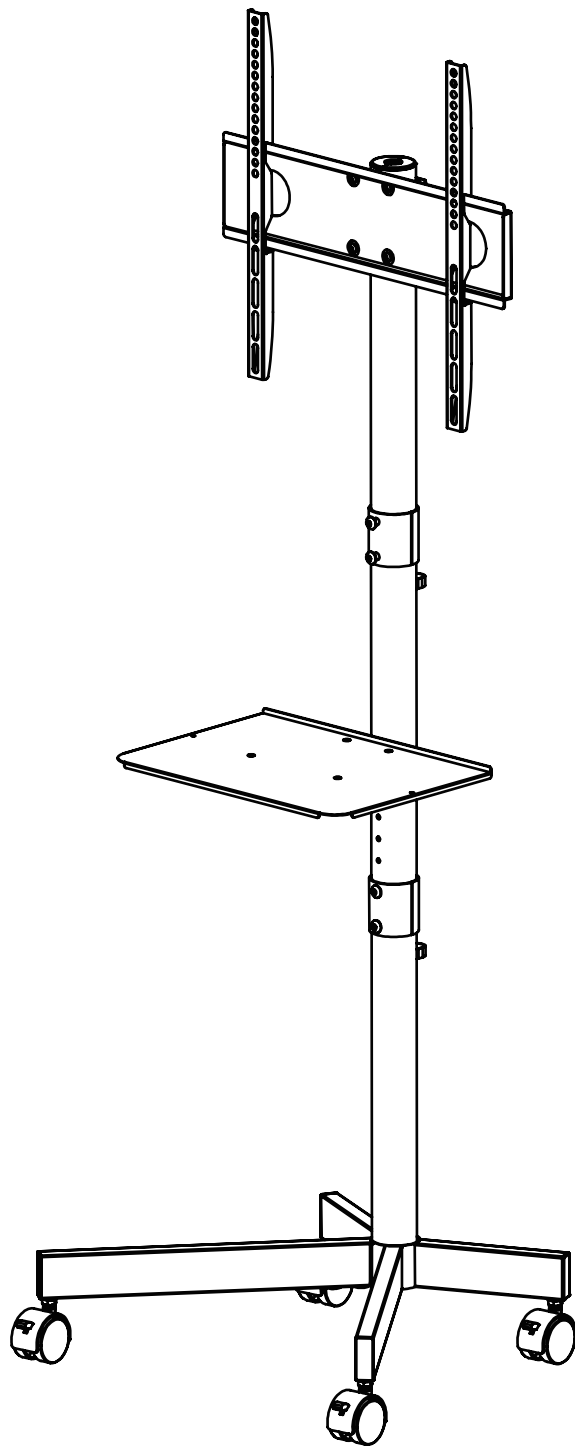


# BONTEC

## Mobile TV Cart Instruction Manual



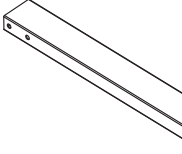
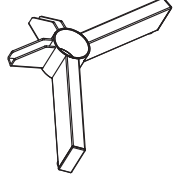
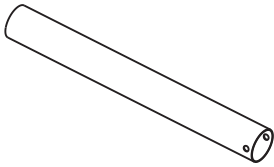
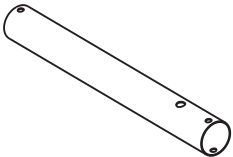
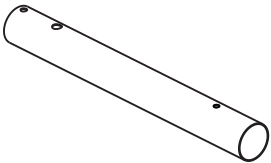
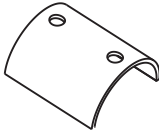

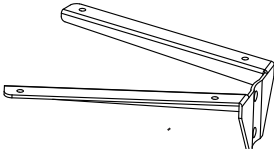
**Model: TC-003B**

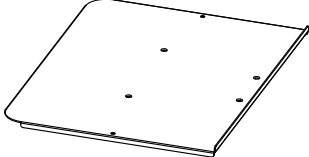
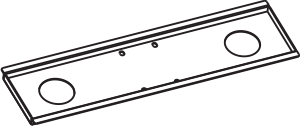
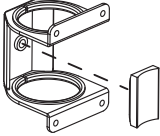
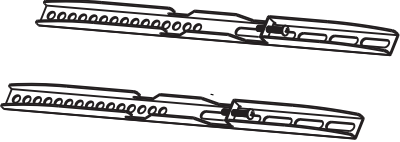






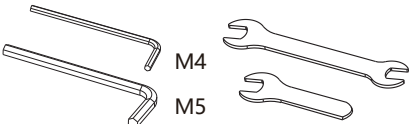

# Assembly Instructions for TV Trolley Stand







**Safety Warning:** If you do not understand these directions, or have any doubts about the safety of the installation, please call a qualified contractor. Check carefully to make sure there are no missing or defective parts. never use defective parts. Improper installation may cause damage or serious injury. Do not use this product for any purpose that is not explicitly specified in this manual. We can not be liable for damage or injury caused by incorrect mounting, incorrect assembly, or incorrect use.

Required Tools: Phillips screw driver.

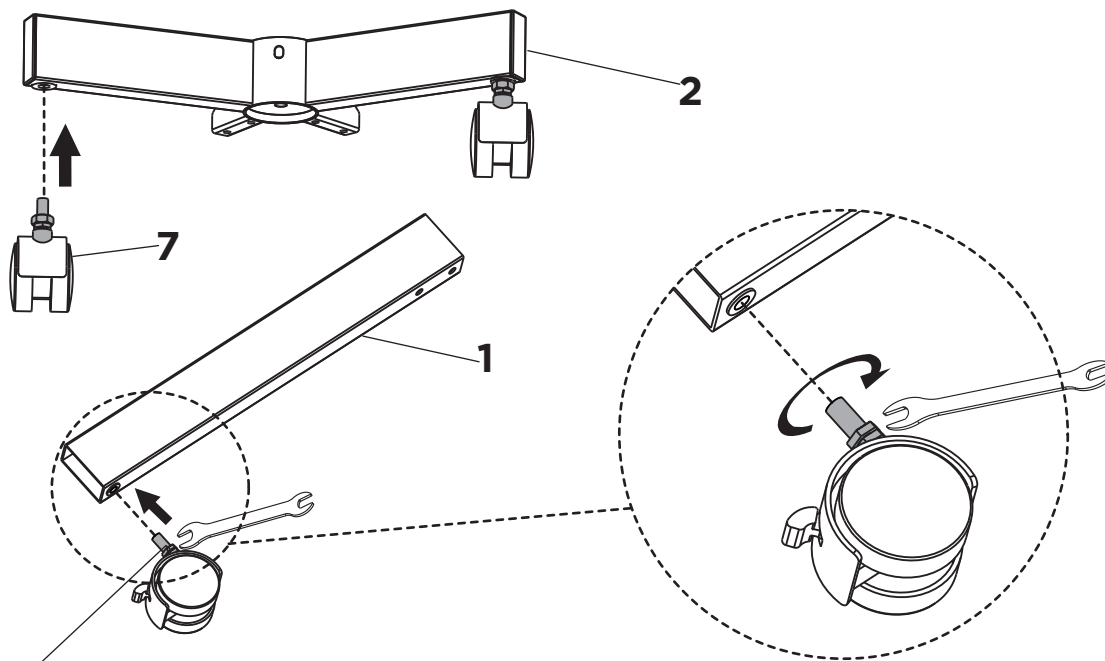
## Supplied Parts

No.	Picture	Description	Quantity
1		Long Square Tube	2
2		Tube Connector With Short Square Tube	1
3		Top Pole With One Hole	1
4		Middle Pole With Three Holes	1
5		Bottom Pole With Four Holes	1
6		Pole Connector	4
7		Wheel	4
8		Shelf Support	1

No.	Picture	Description	Quantity
9		Shelf	1
10		Square Plate	1
11		Square Plate Connector & Rubber Pad	1
12		TV Arm Set	1
13		M8x16 Allen Head Bolt	1
14		M4x6 Bolt	4
15		M6x10 Allen Head Bolt	11
16		M6 Washer	8
17		M8x60 Bolt M8 Nut	4 Sets
18		Pole Cover	2
19		Tool Kit	1
20		M4x12 Bolt M4x30 Bolt	4

No.	Picture	Description	Quantity
21		M6x20 Bolt M6x35 Bolt	4
22		M8x20 Bolt M8x45 Bolt	4
23		M4 Washer M6 Washer M8 Washer	4
24		M4 Spacer M6/M8 Spacer(20mm)	4
25		M6/M8 Spacer(5mm)	8
26		Wire Clip	2

1

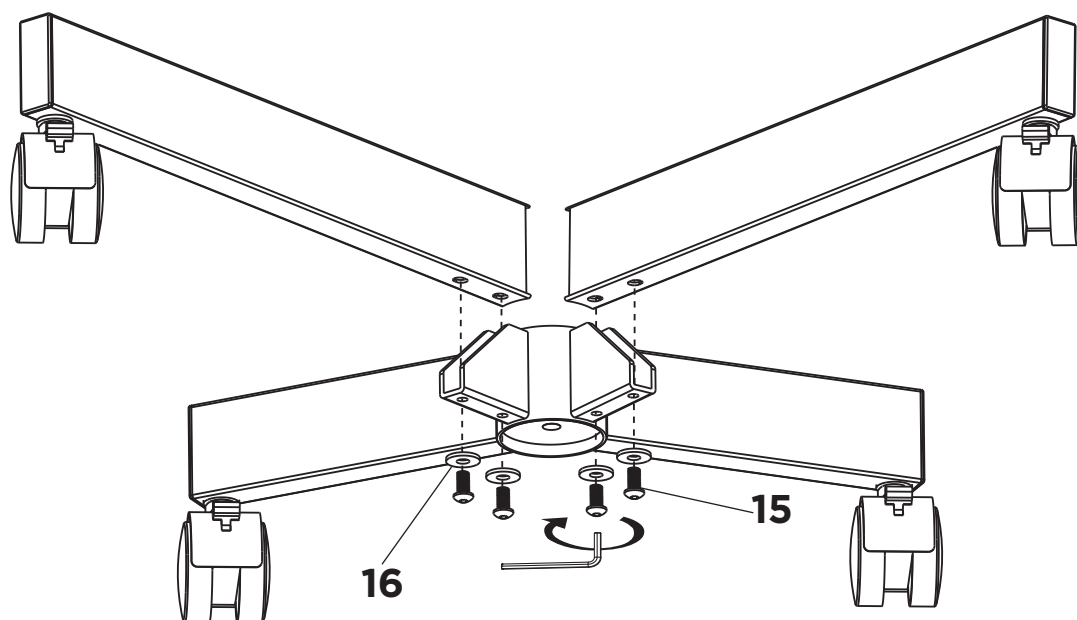


19

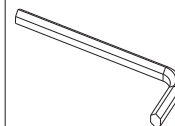


Turn this nut to adjust the height of wheel.

2

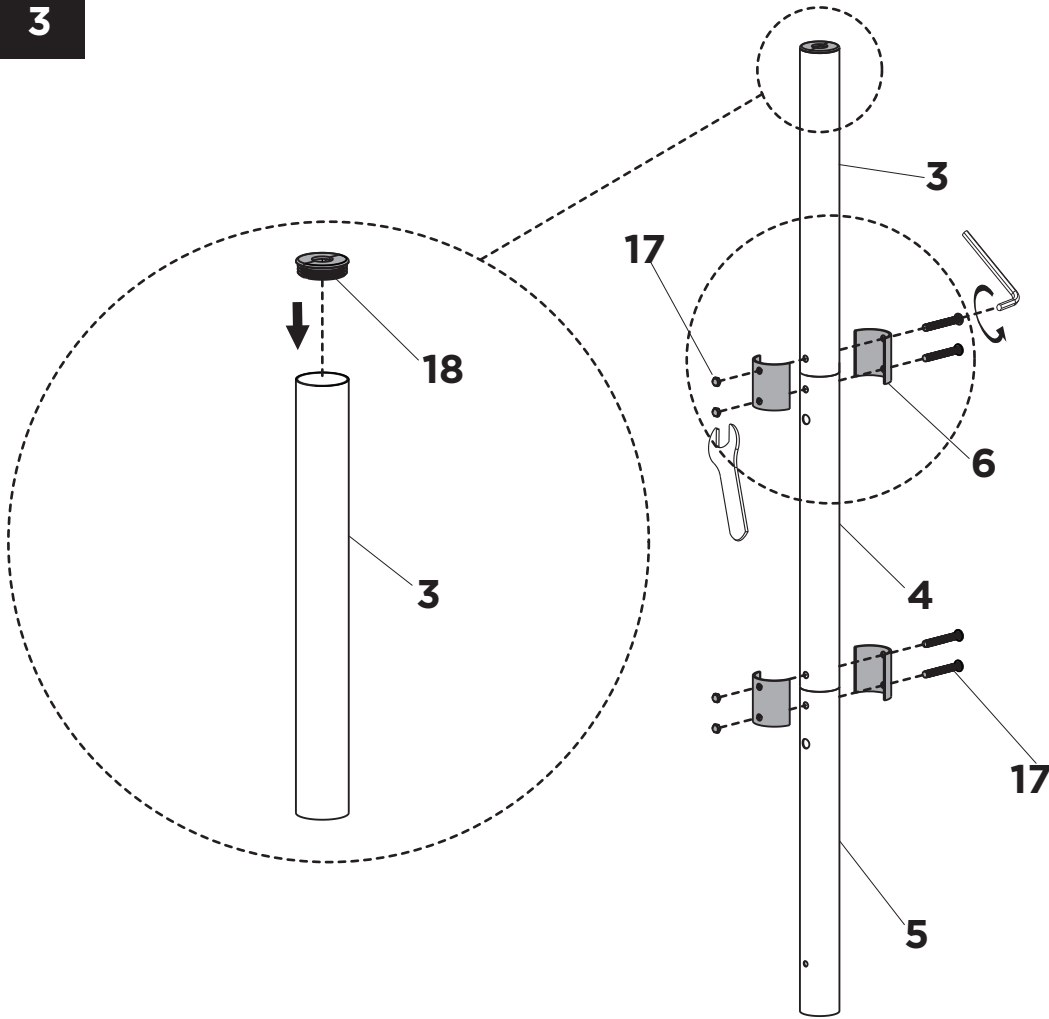


19

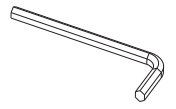


M4

3

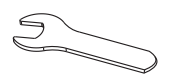


19

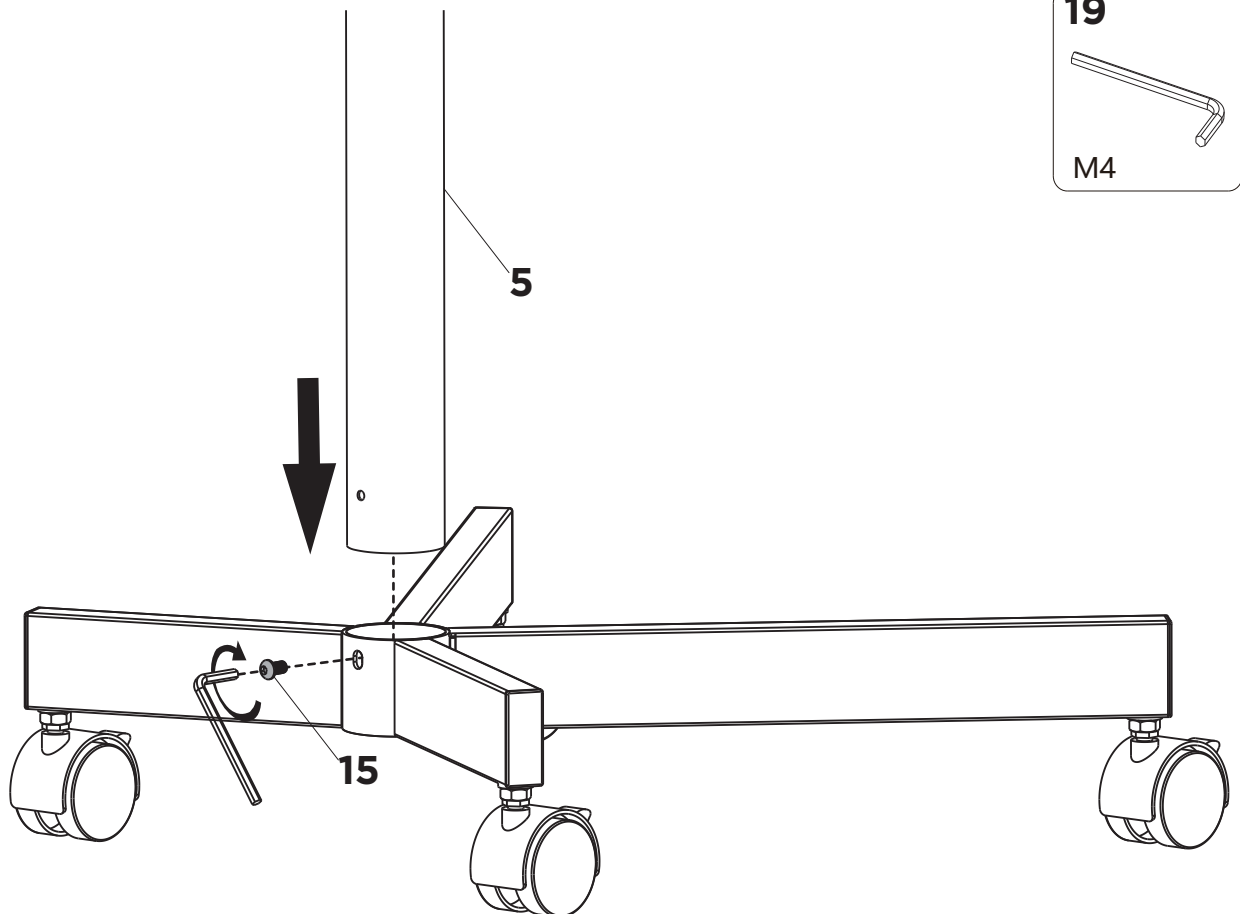


M5

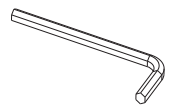
19



4

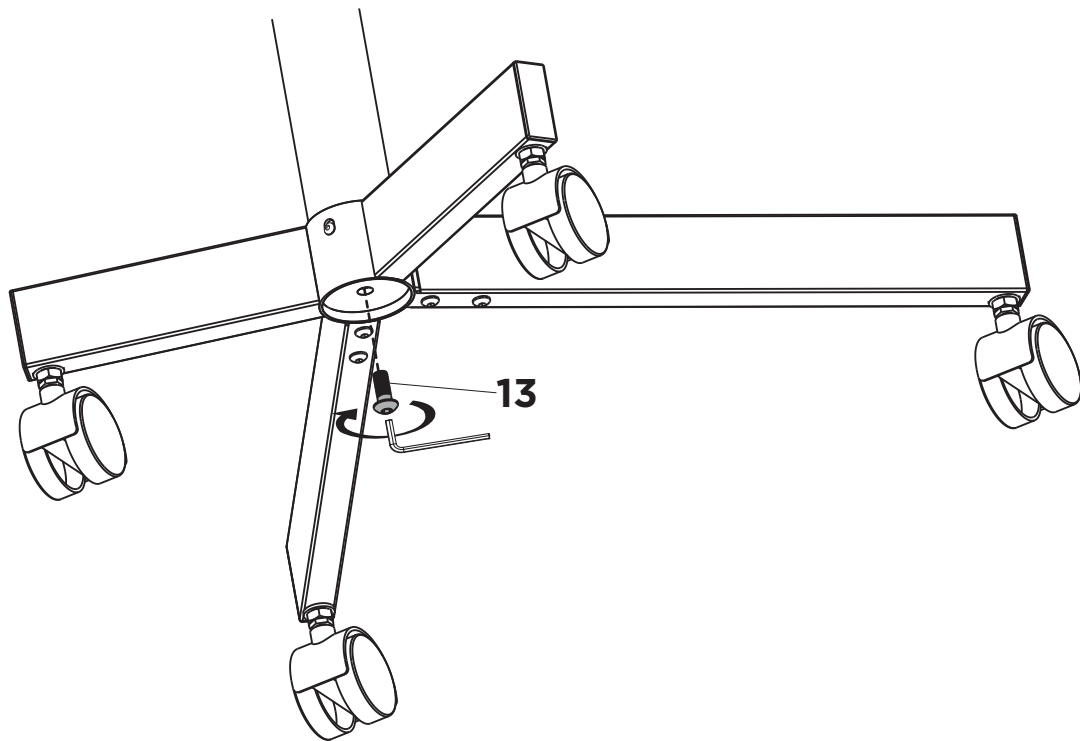


19



M4

5

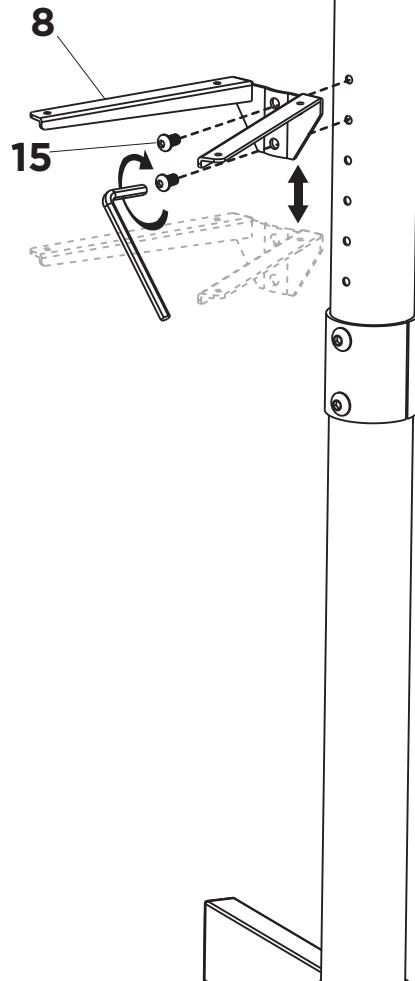


19



M5

6

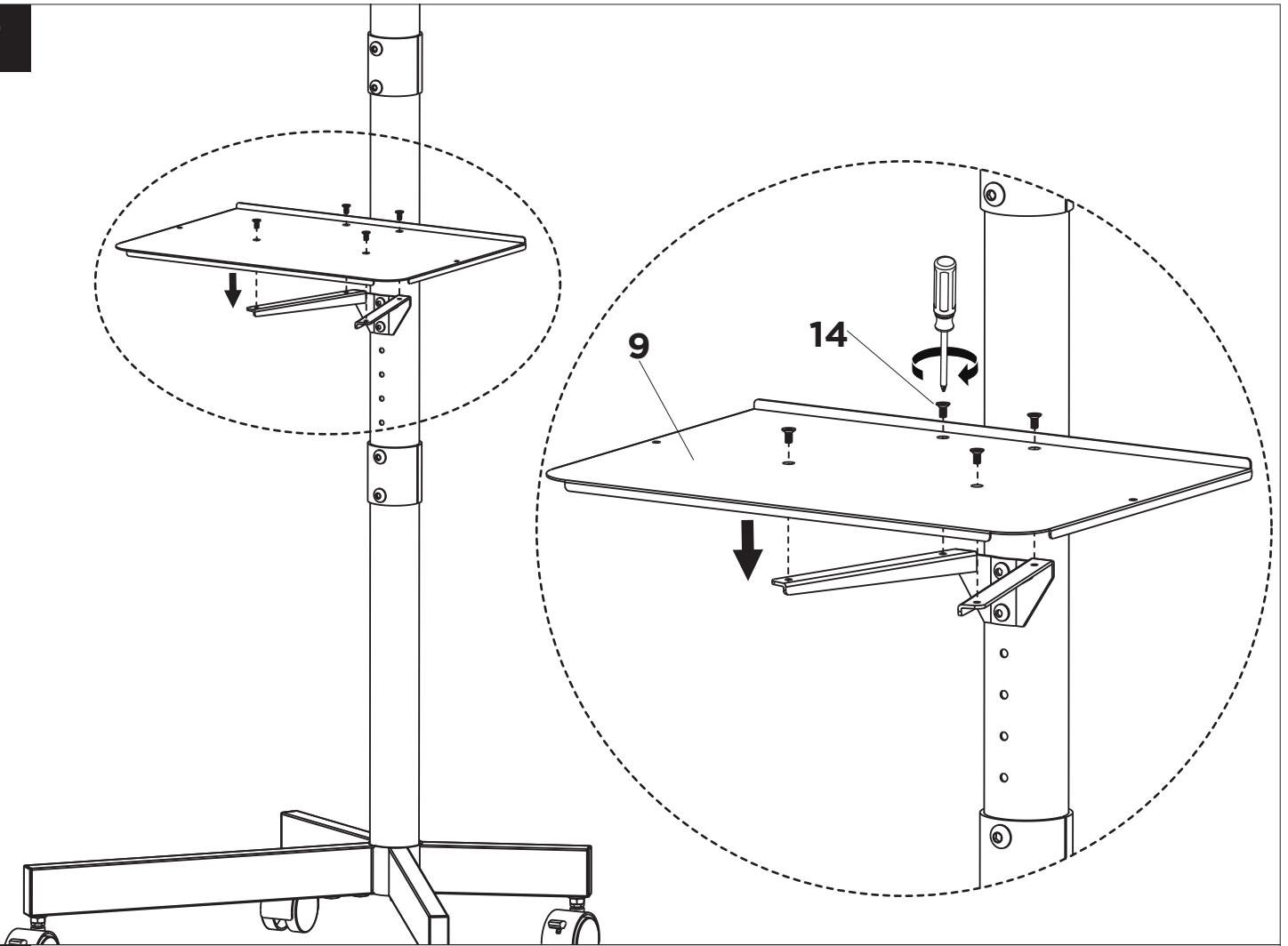


19



M4

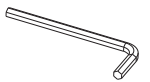
7



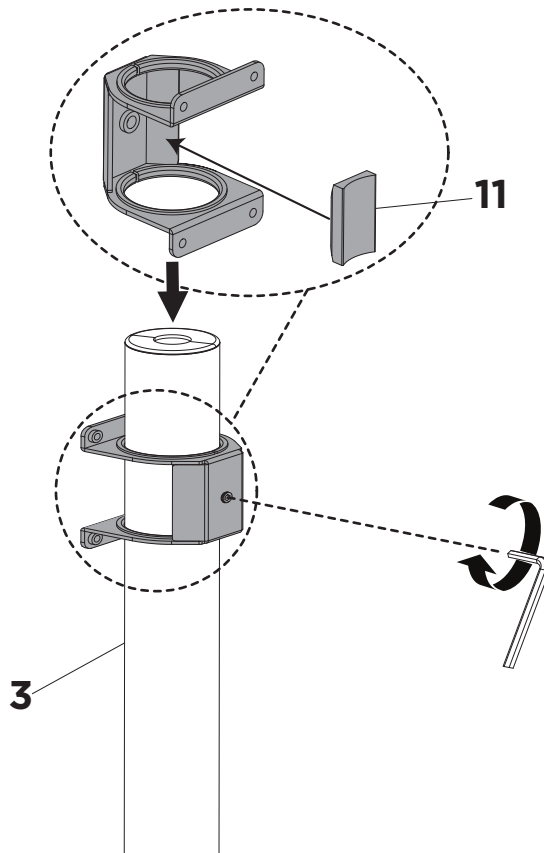
8

Slide the TV plate connector and pad [11] over the top of the pole [3] and secure the connector using Small AllenKey [19].

19

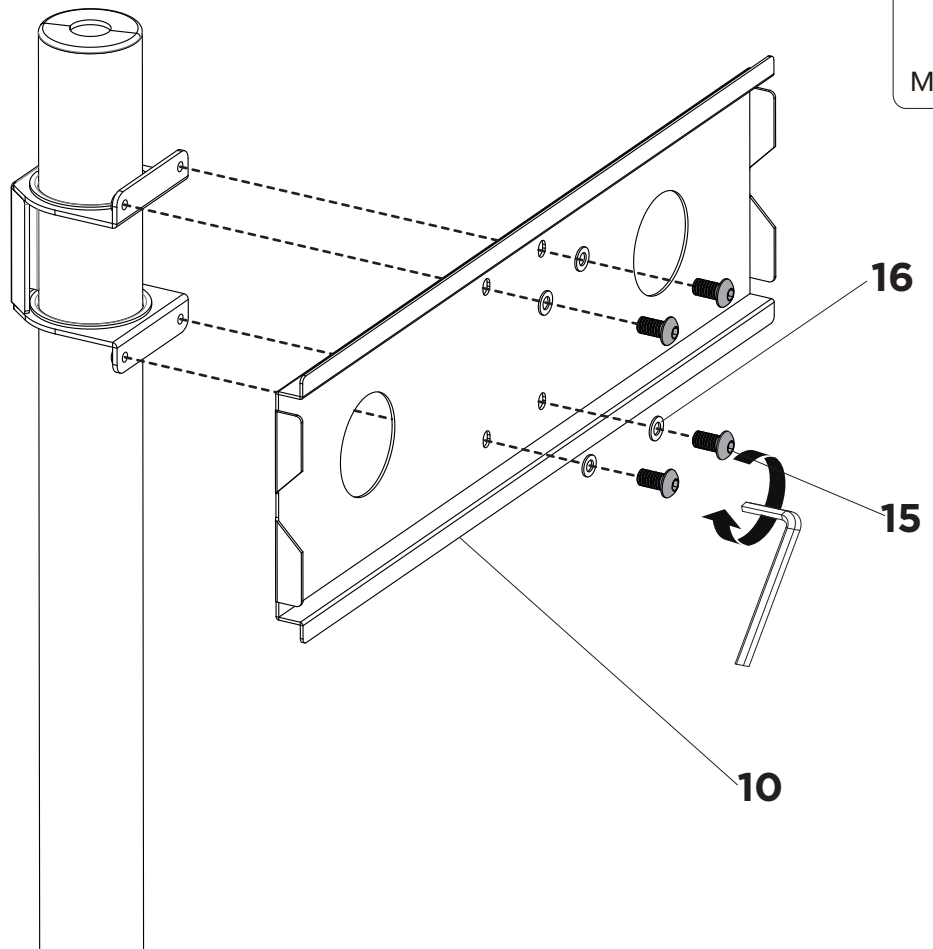


M4

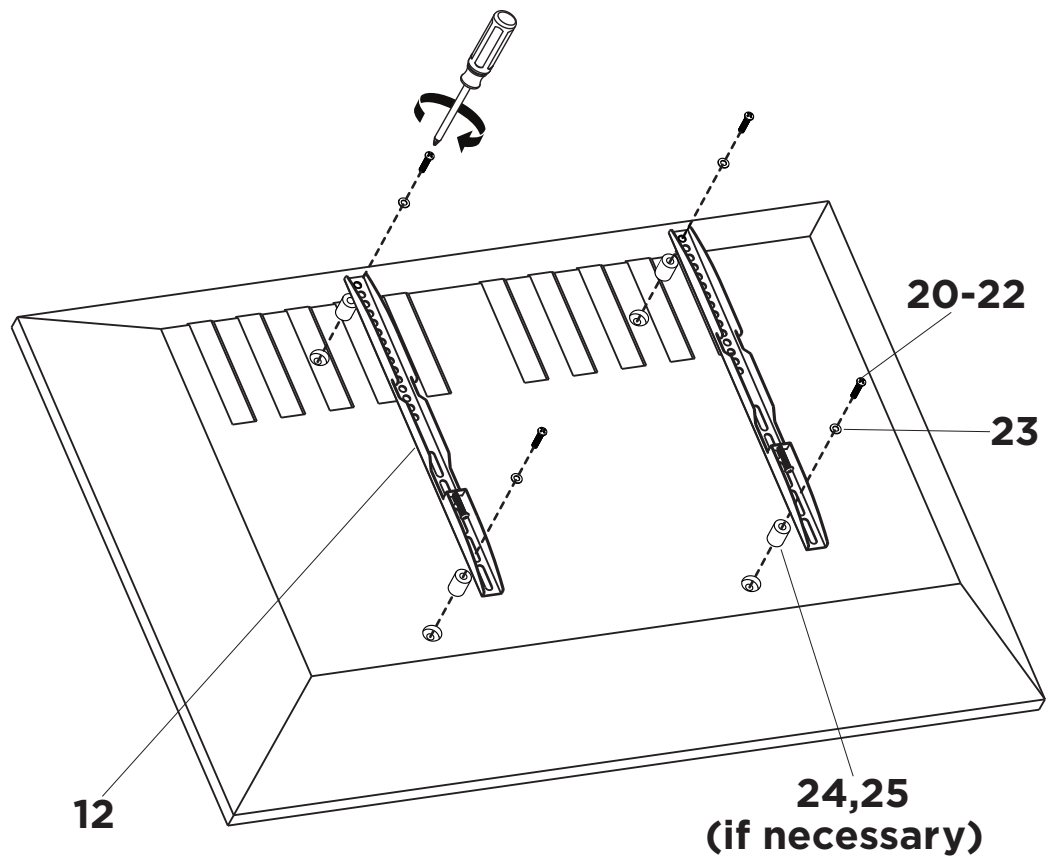




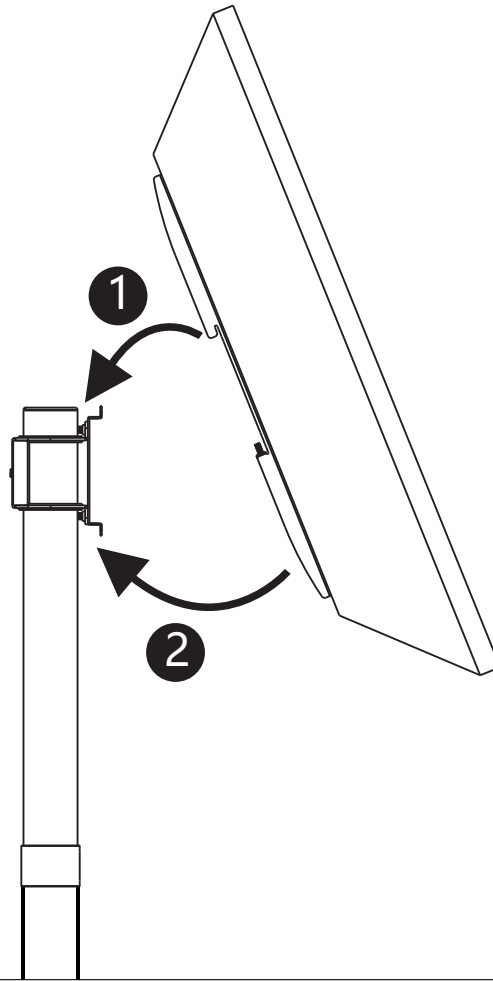
9



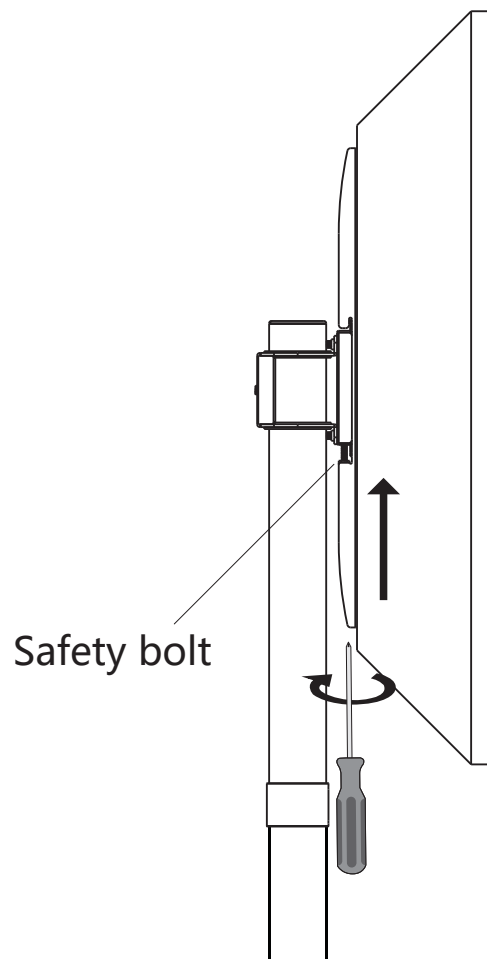
10



11

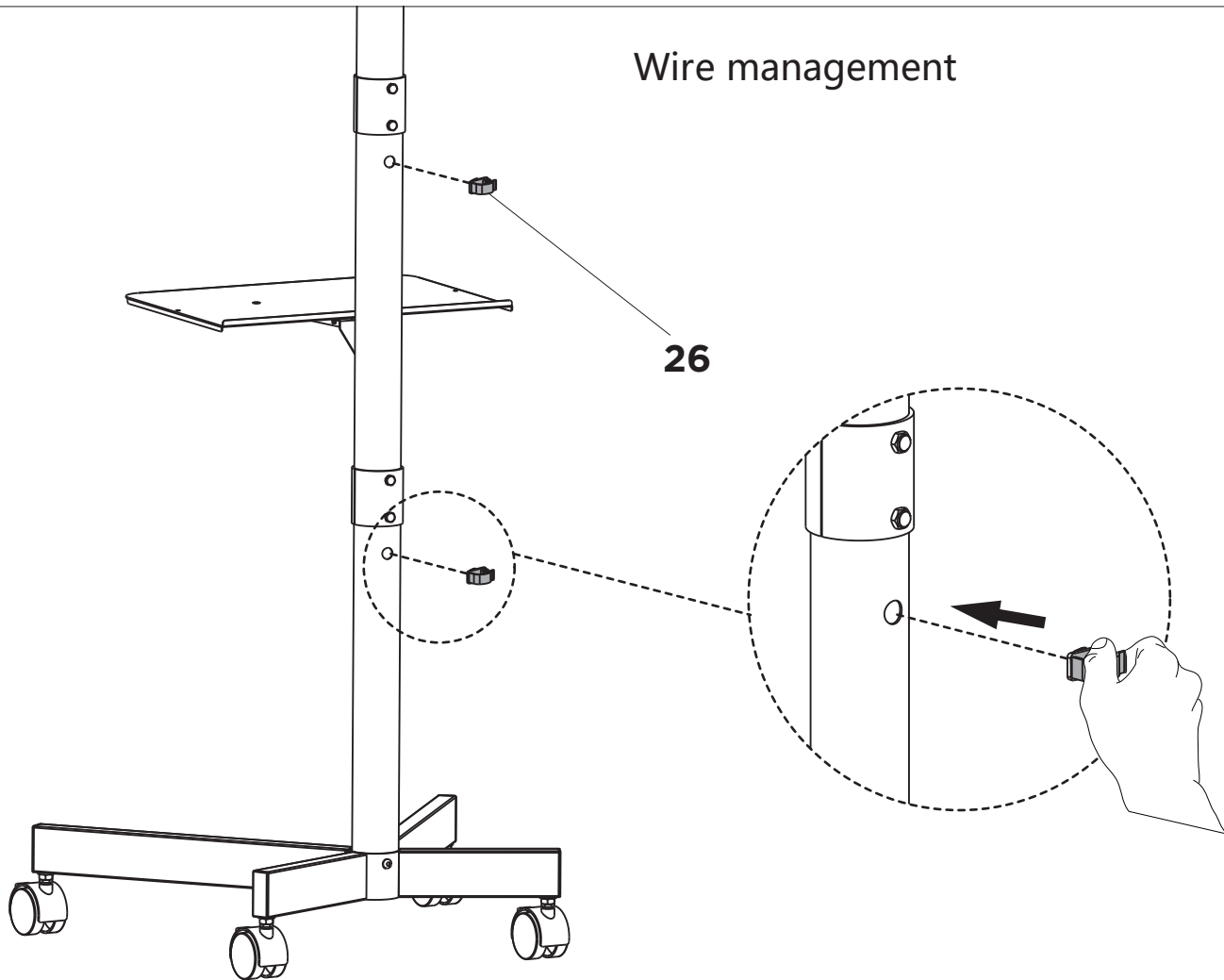


12



13-1

Wire management



13-2

Wire management

