

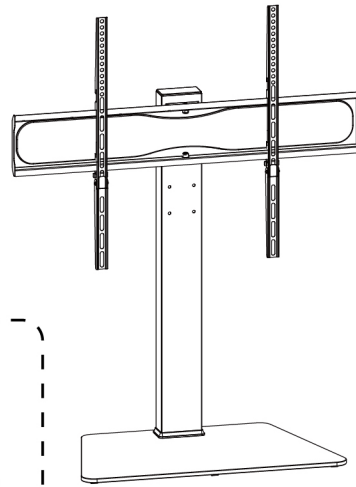
BONTEC

USING NOTICE

- (1) This stand suitable for in-house use.
- (2) Please move this stand gently with two person.

SAFETY WARNING

- (1) Don't climb or sit on the stand.
- (2) Don't place very hot or very cold things on the glass surface.
- (3) Don't touch the glass surface with hard and acute object.
- (4) Don't use causticity or powder contained cleanser to clean the glass surface.



ST14

Parts check-list



Please pick out the parts you need from the accessory bag in an orderly manner according to the assembly instructions. Do not remove all the parts at once.

NO.	Description	Qty.	NO.	Description	Qty.	NO.	Description	Qty.
A		1	H	M8	2	O	M8x40 Screw	3
B		1	I		1	P		2
C		1	J	Cable Clip	2	Q	M5x30 Screw	2
D		2	K	M6x60 Screw	4	R		1
E		2	L	$\varnothing 20$	7	S		1
F		6	M	$\varnothing 20$ mm Plastic part	5	T	10	1
G	M6	4	N	M8x20 Screw	2	U		1

GUIDE TO ASSEMBLY

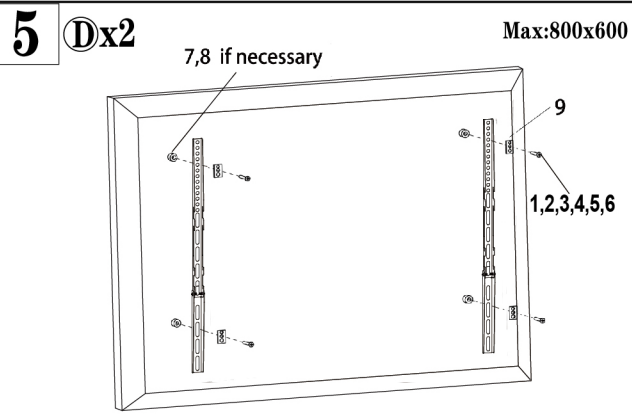
1 $\text{A} + \text{B} + \text{F} \times 6 + \text{M} \times 3 + \text{L} \times 3 + \text{O} \times 3 + \text{I} + \text{S}$

2 $\text{E} \times 2 + \text{K} \times 4 + \text{G} \times 4 + \text{R} + \text{T}$

3 $\text{C} + \text{M} \times 2$

Put part C onto the middle of part M as below picture shows

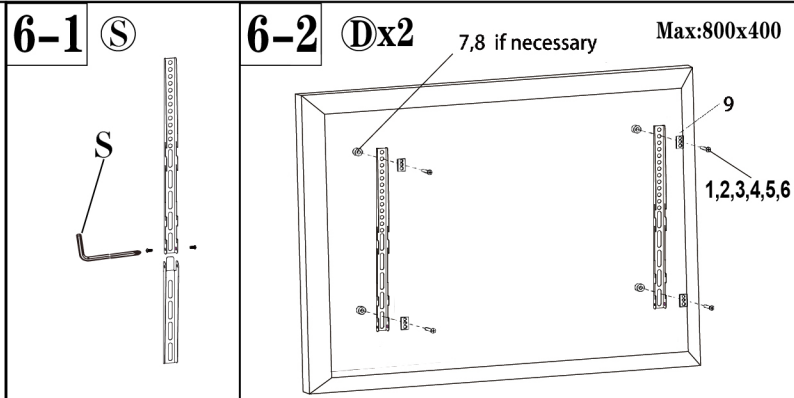
4 $\text{H} \times 2 + \text{N} \times 2 + \text{L} \times 4 + \text{T} + \text{S}$



Choose right screws for TV

No.	Part Description	Part Sketch Map	Qty
1	M4X15		4
2	M4X30		4
3	M6X15		4
4	M6X30		4
5	M8X15		4
6	M8X45		4
7	5mm		8
8	10mm		8
9	Square Washer		4

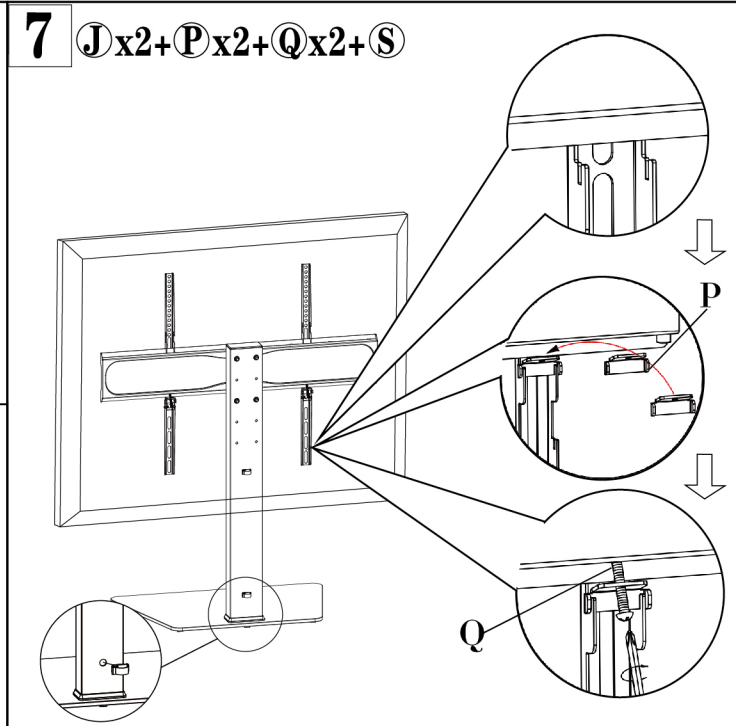
Screws for TV (PACK)



Choose right screws for TV

No.	Part Description	Part Sketch Map	Qty
1	M4X15		4
2	M4X30		4
3	M6X15		4
4	M6X30		4
5	M8X15		4
6	M8X45		4
7	5mm		8
8	10mm		8
9	Square Washer		4

Screws for TV (PACK)



8 **U** **Attaching the Security Steel Wire to the TV**

If your TV is located nearby the wall as the Diagram 8A, then a steel wire can be attached for added security. Attaching the two ends of steel wire to the top holes on the back of TV, shown in Diagram 8B.

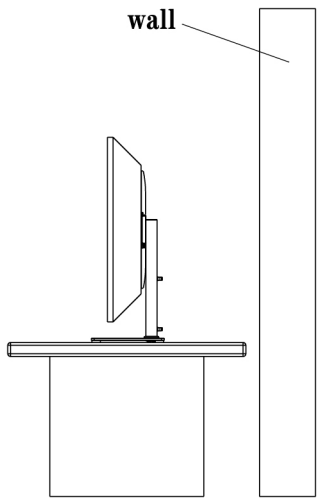


Diagram 8A

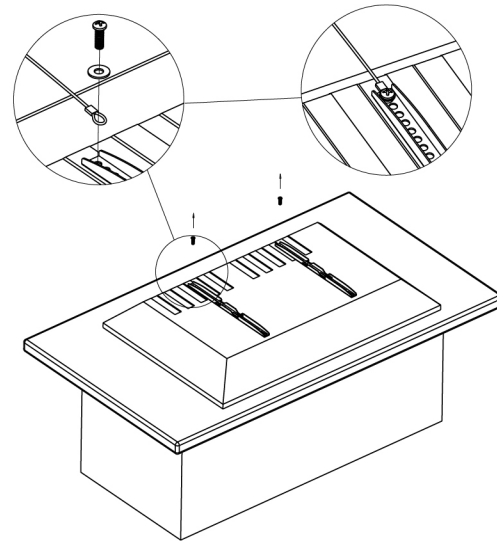


Diagram 8B

Attaching the another end of steel wire to the wall according to your wall type ,shown in Diagram 8C,8D and 8E

Wood stud wall

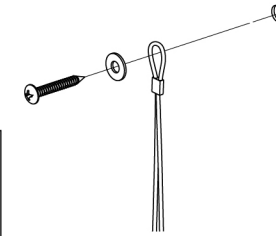
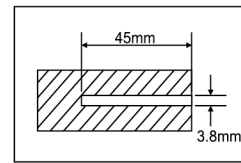


Diagram 8C

Concrete & brick wall

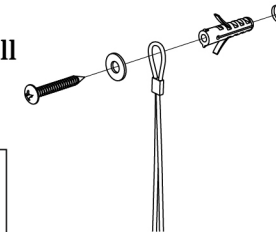
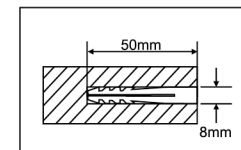


Diagram 8D

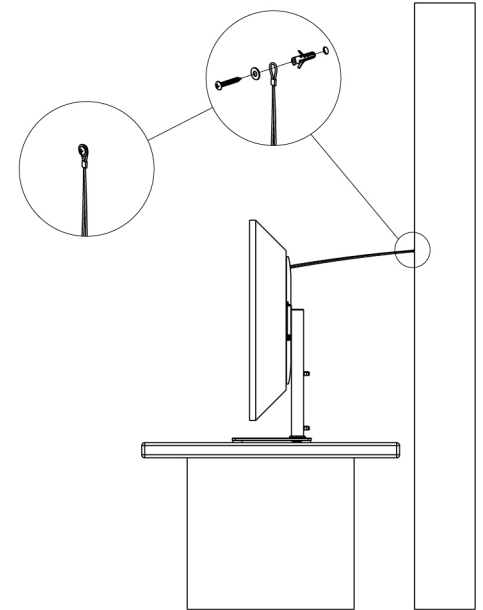


Diagram 8E