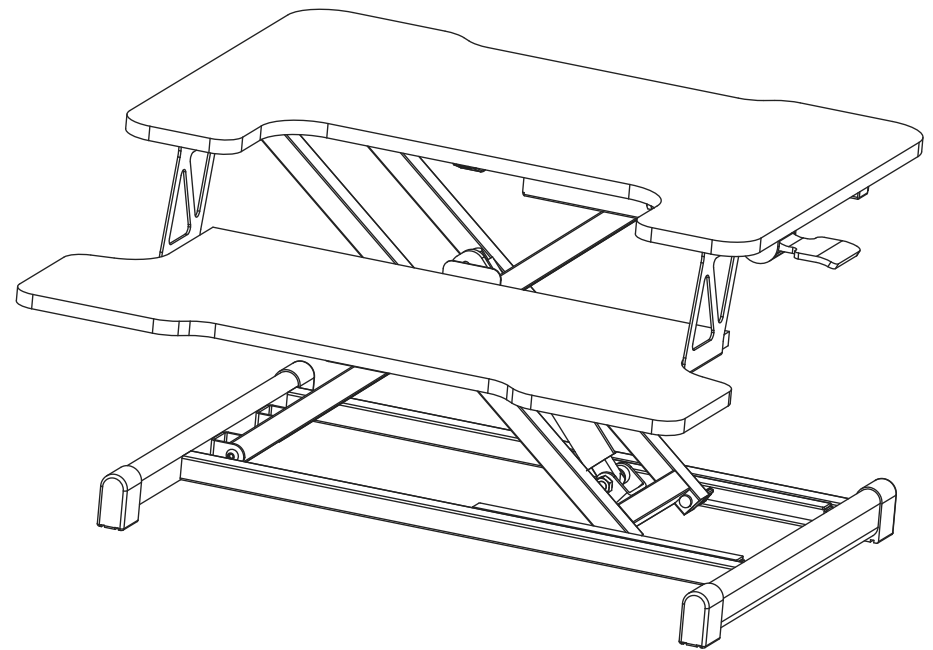


# BONTEC

## **SIT-STANDING DESKTOP WORKSTATION**

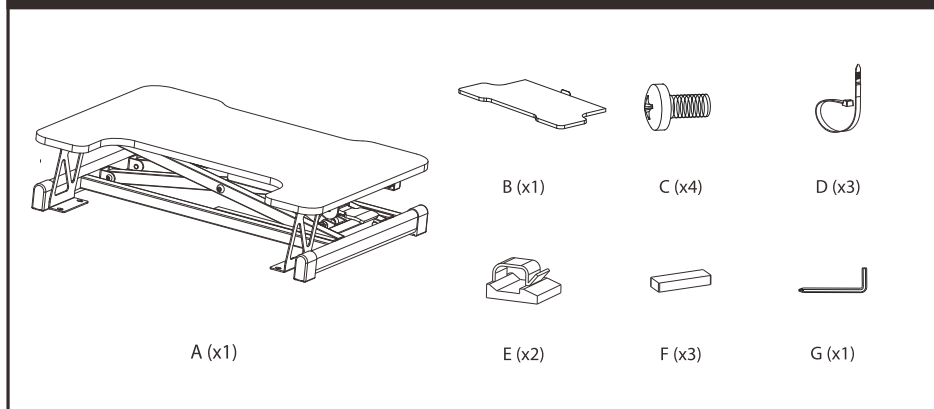
*Product Model:*  
**MD02**



**! WARNING!**

If you do not understand these directions, or if you have any doubts about the safety of the installation, please call a qualified technician. Check carefully to make sure there are no missing or defective parts. Improper installation may cause damage or serious injury. Do not use this product for any purpose that is not explicitly specified in this manual and do not exceed weight capacity. We cannot be liable for damage or injury caused by improper mounting, incorrect assembly, or inappropriate use.

**PACKAGE CONTENTS**

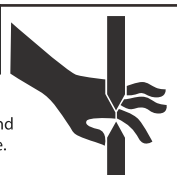


**TOOLS NEEDED**

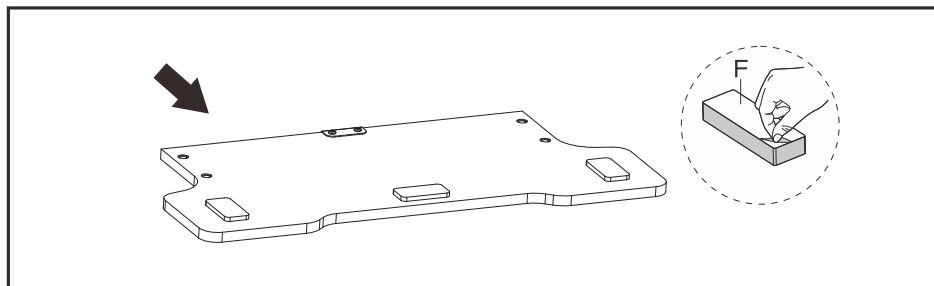
**DO NOT EXCEED WEIGHT CAPACITY.**  
**FAILURE TO DO SO MAY RESULT IN SERIOUS INJURY**

**WARNING**  
**PINCH POINT**

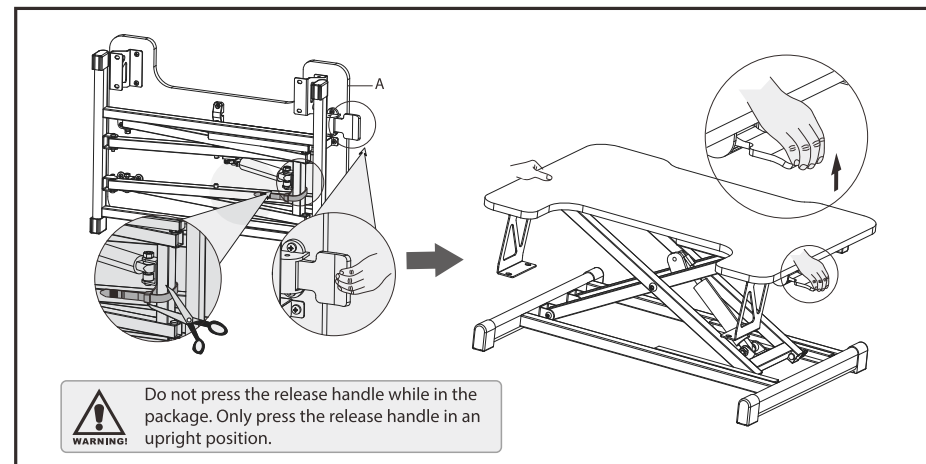
DO NOT place hands on or near support bars. Moving parts can crush and cut. Pinch points are created during lifting and lowering the worksurface. Failure to follow these instructions may result in serious personal injury.



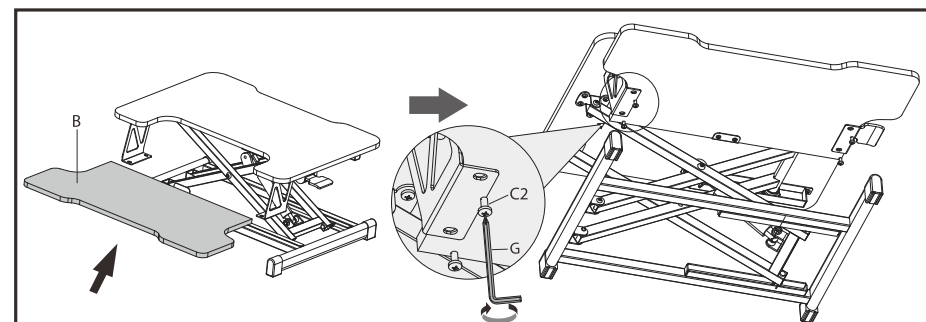
**STEP 1**



**STEP 2**



**STEP 3**



**STEP 4**

