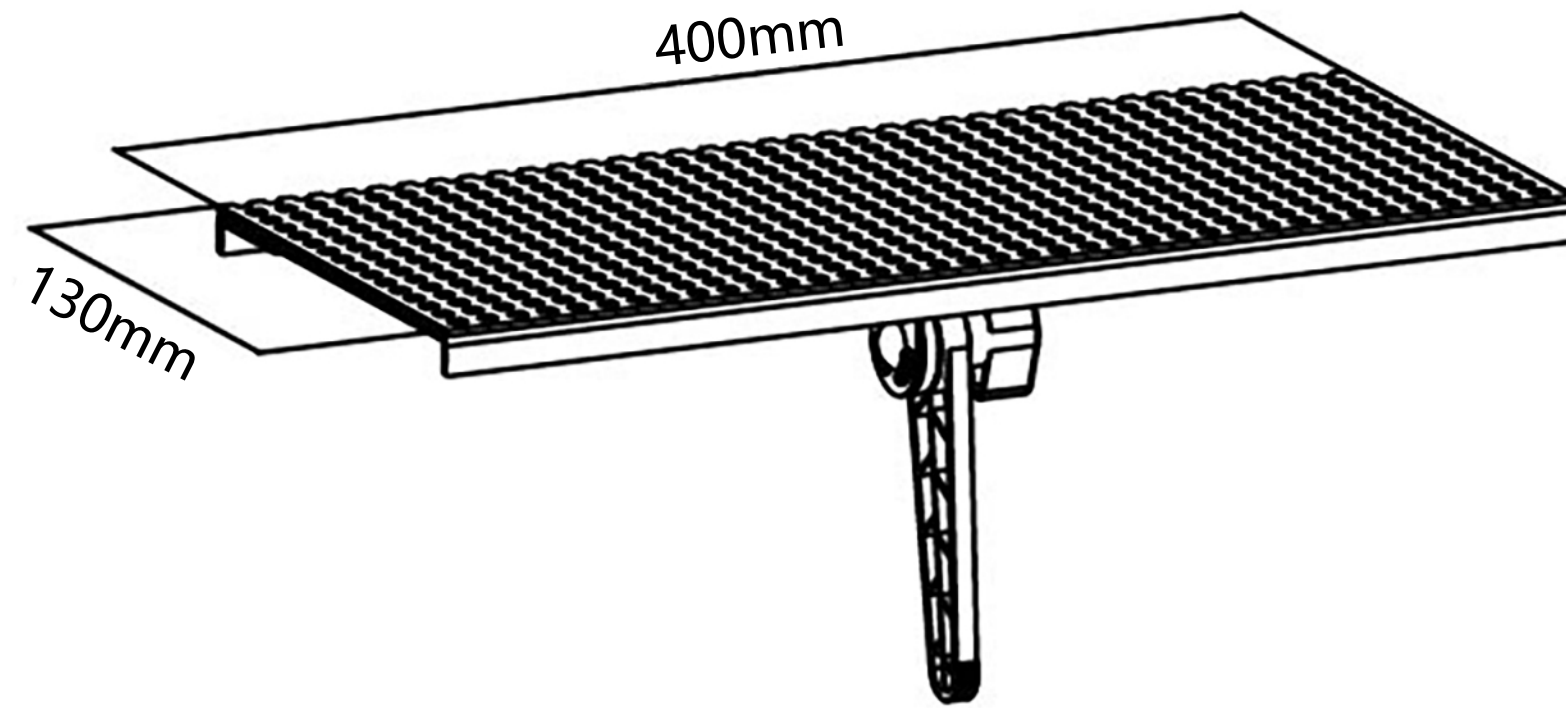


# BONTEC



## Features

- \* Easy installation, no tools required
- \* Air vents for proper ventilation
- \* Anti-skid pad prevents sliding

 The device is suitable for the depth from front of TV to wall  $\geq 130\text{mm}$ .

Model:LR07

