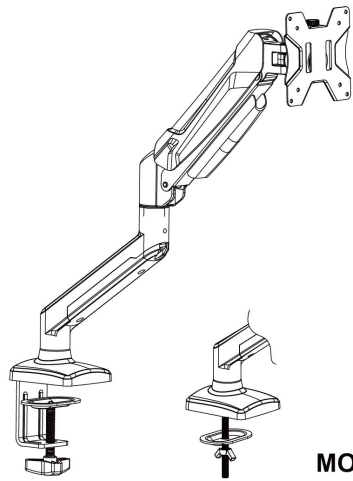


INSTALLATION INSTRUCTION



MODEL:GDM7501

Safety Caution

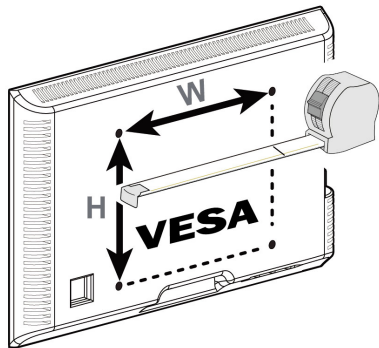
BEFORE ASSEMBLY
 • Please check and make sure all necessary accessories are included and undamaged.
 • Please read and understand this manual carefully before installation.

WARNING
 • This product contains small items that could be a choking hazard if swallowed. KEEP AWAY FROM CHILDREN UNDER 3 YEARS OLD. ADULT SUPERVISION IS REQUIRED.
 • Improper installation, such as using the product for monitor over its load capacity or for any purpose not explicitly specified, may cause damage or serious injury. We would not be liable for any damage or injury caused by improper mounting or inappropriate use.

CAUTION AND MAINTENANCE
 • Never allow children to climb, stand, hang, or play on any part of monitor or stand.
 • This product is intended for indoor use only. Using this product outdoors could lead to product failure and personal injury.
 • Check that the bracket is secure and safe to use at regular intervals (at least every three months).

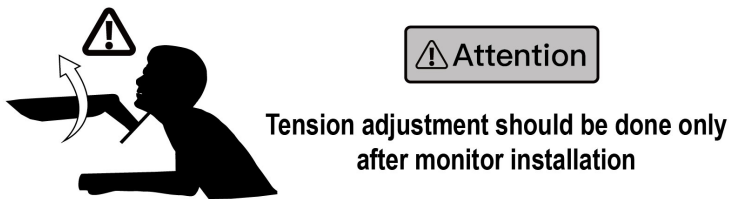
Must Check Before Getting Started

Verify Your Monitor Specifications:



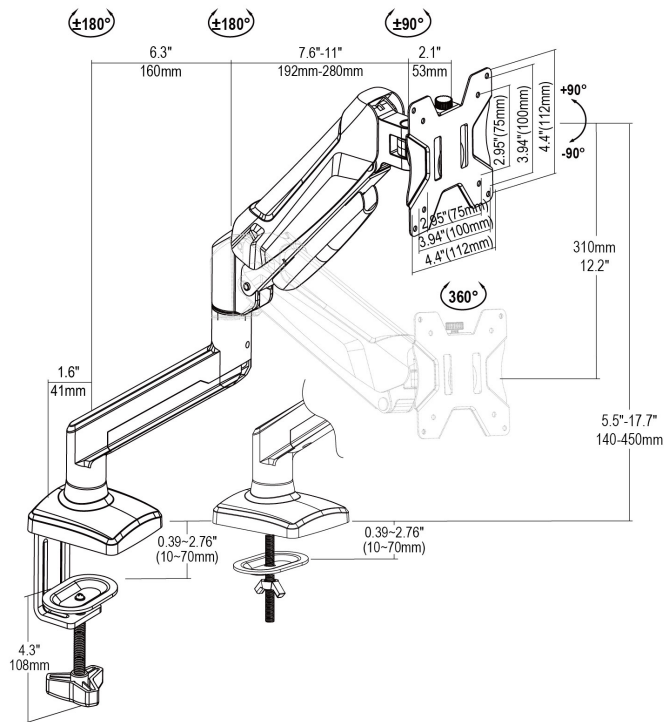
VESA Pattern (W × H):
 75mm × 75mm / 3" × 3"
 100mm × 100mm / 4" × 4"

Verify Your Desk Specifications:

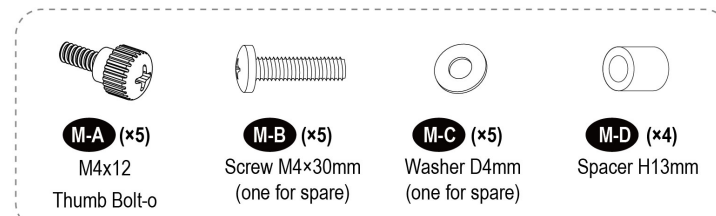
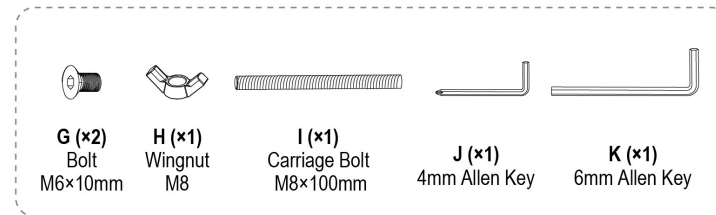
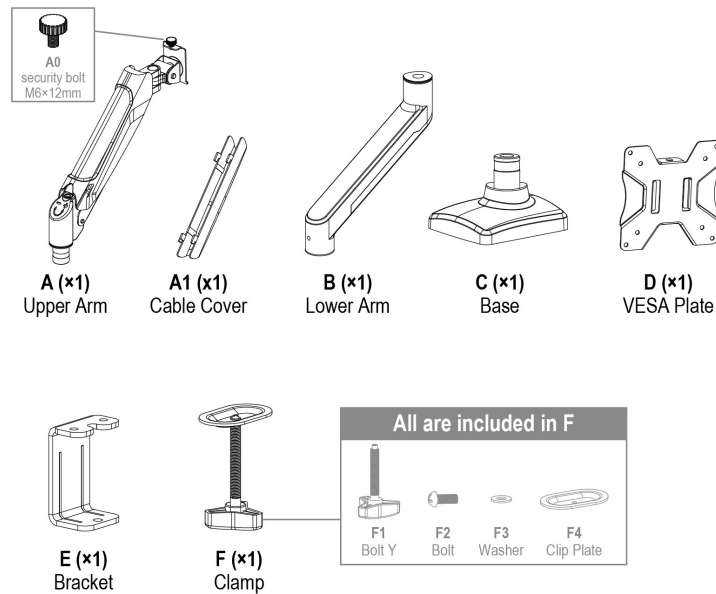


WARNING:
 Gas Spring Arm is under pressure and should be handled with care. Failure to follow the instructions may result in damage to the mount and/or personal injury.

Product Dimensions



Supplied Parts and Hardware



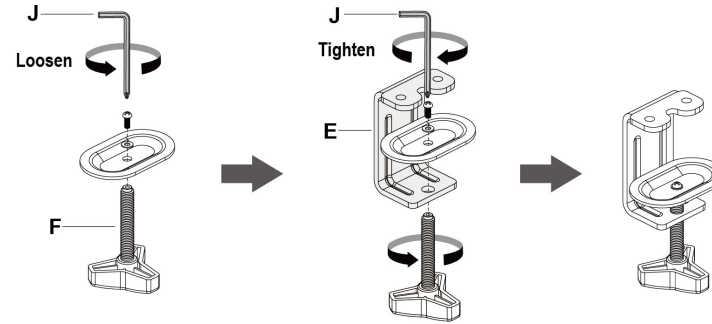
1-A Base Installation

OPTION A: Clamp Installation



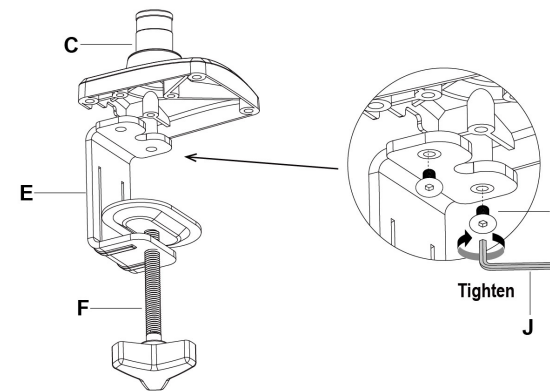
A-1

Detach the clamp (F) with 4mm Allen key (J).
 Install the clamp (F) to the bracket (E) with 4mm Allen key (J).



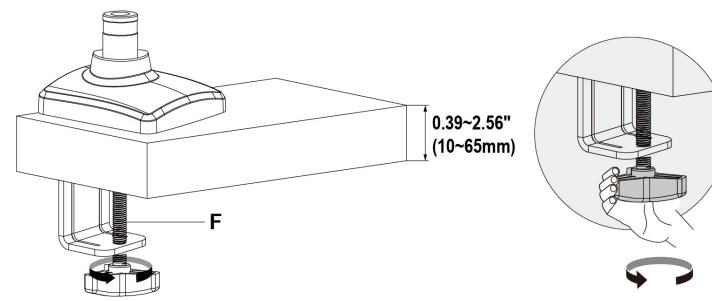
A-2

Mount clamp (E) to the bottom of base (C) by tightening bolts (G) with 4mm Allen key (J).



A-3

Secure stand to the desktop by tightening clamp (F).



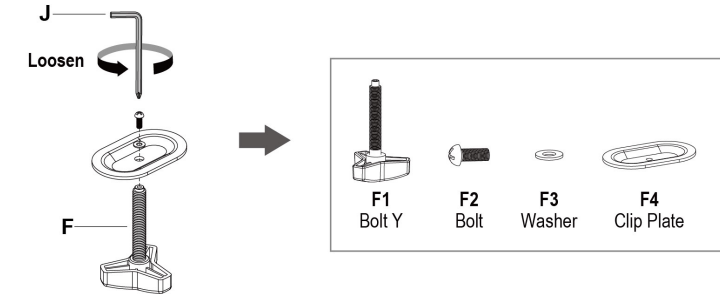
1-B Base Installation

OPTION B: Grommet Base Installation



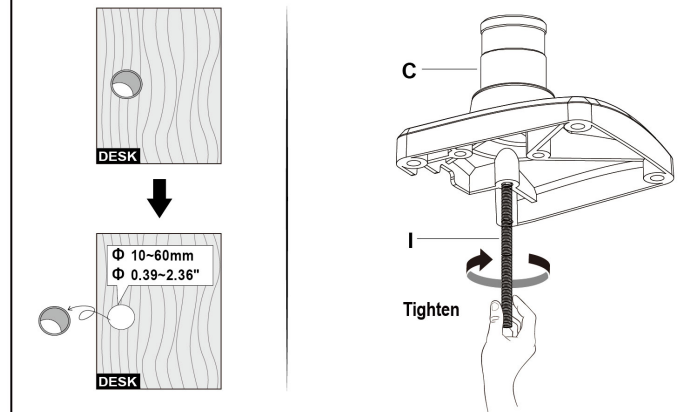
B-1

Detach the clamp (F) with 4mm Allen key (J).



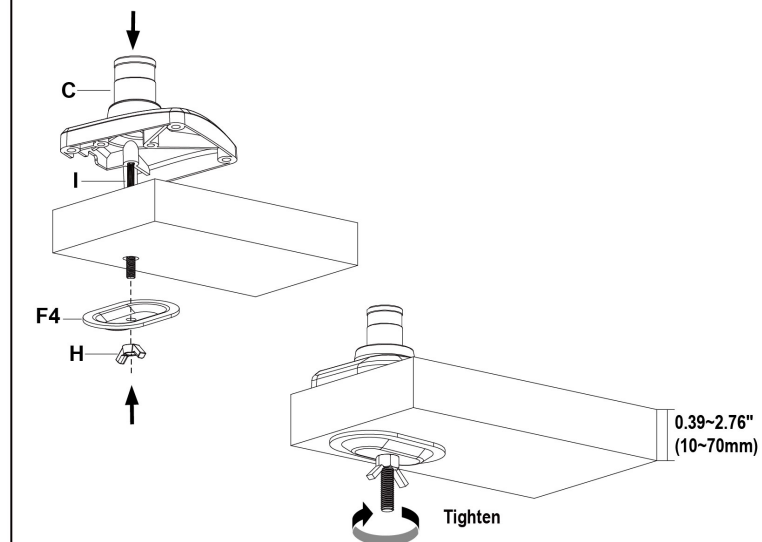
B-2

If existing grommet hole comes with a plastic protector, remove it to ensure a flat surface before installing the desk mount.
 Mount carriage bolt (I) to base (C) by using hand.



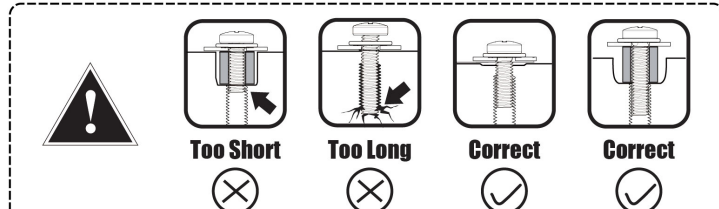
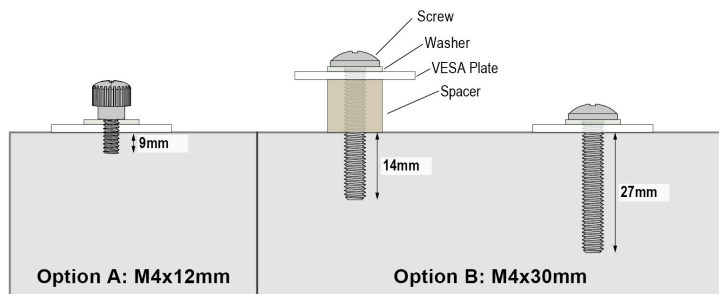
B-3

Run carriage bolt (I) with base (C) through grommet hole on desktop.
 Secure base to the desktop by using clip plate (F4) and wingnut (H).



2 Attach VESA Plate to Monitor

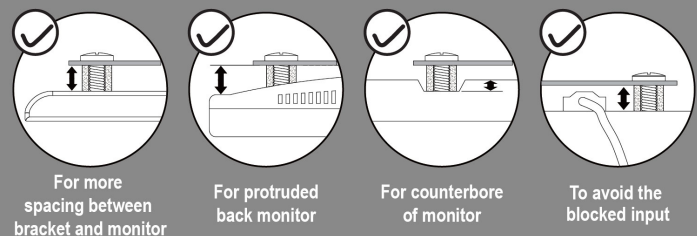
2-1 Select Correct Monitor Screw Length



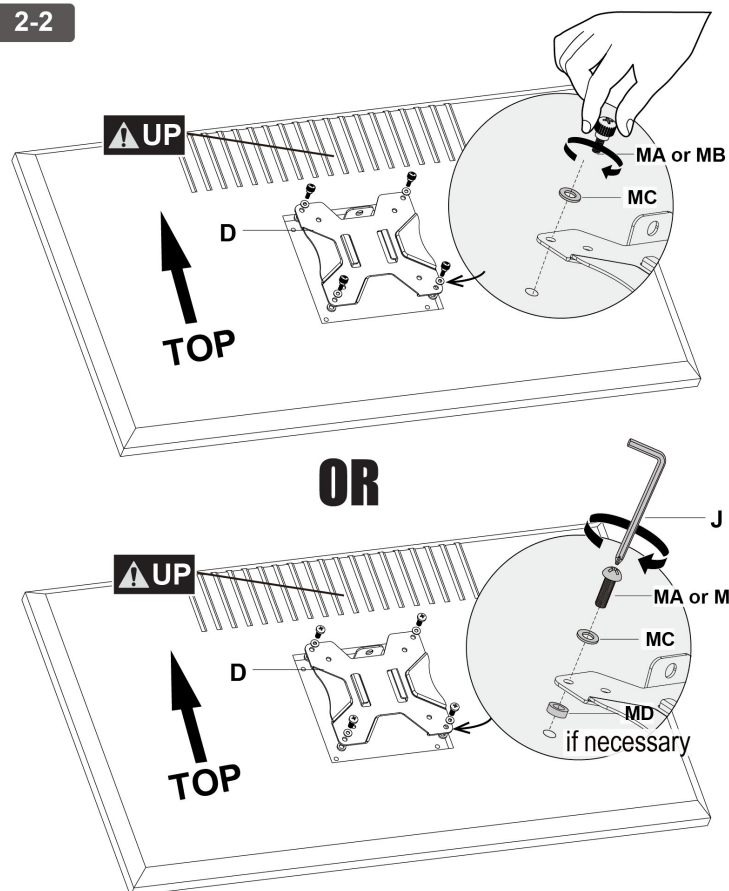
CAUTION: Too short will not hold your monitor. Too long will damage your monitor.

Which Situation Needs Spacers?

If the screw is too long or the surface is uneven, please choose the appropriate screws and spacers for your monitor.



2-2

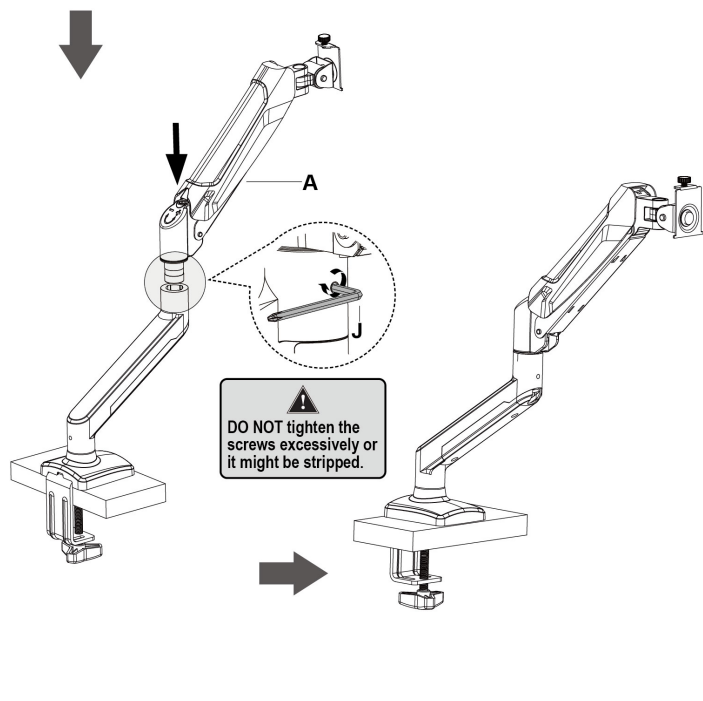
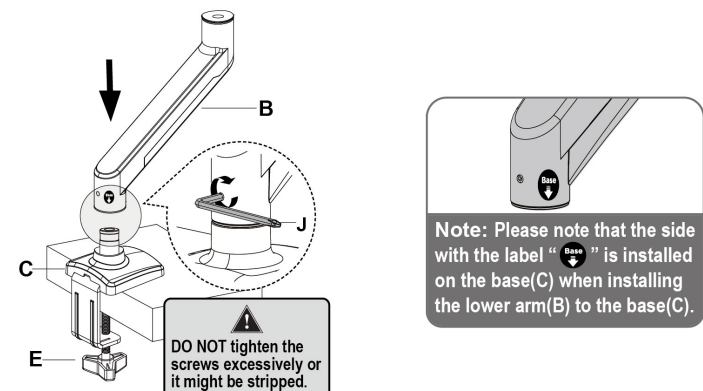


Do not tighten the screws excessively or tighten them by using the Electrodrill, or your monitor might be damaged.

3 Arm and Monitor Installation

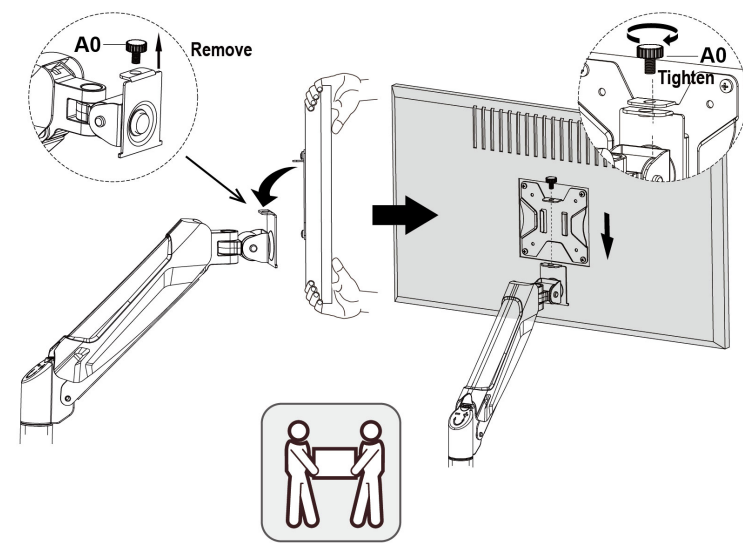
3-1

Install the lower arm (B) to the base (C) then install the upper arm (A) to the lower arm (B). Secure the arms by tightening the inside screws using 4mm Allen key (J).



3-2

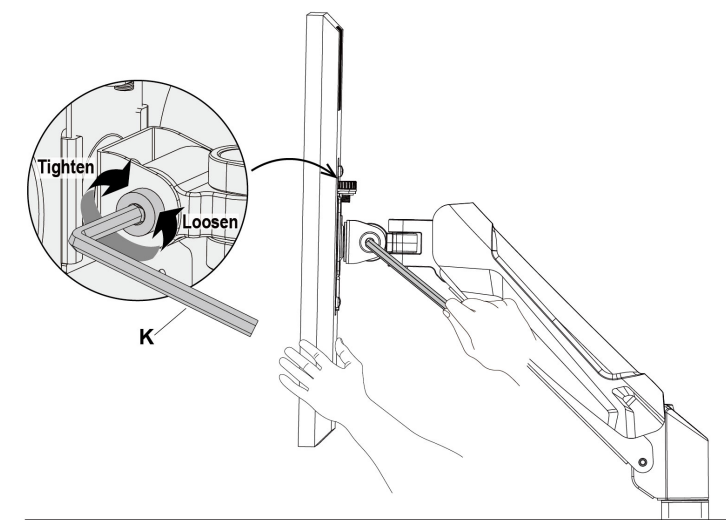
1. Remove the pre-assembled security bolt (A0) from the upper arm (A).
2. Slide the monitor onto the head of upper arm (A), then install the security bolt (A0).
3. Make sure the security bolt (A0) is installed before you rotate the monitor.



4 Adjustments (If necessary)

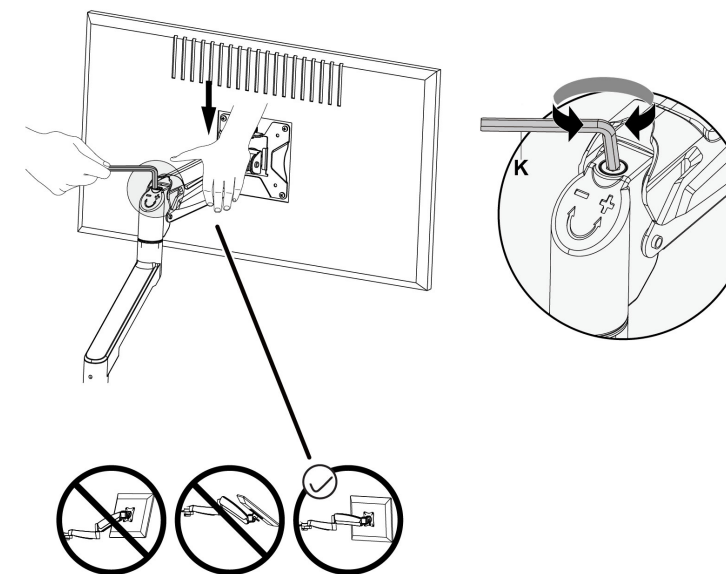
4-1 Tilt Adjustment

- Loosen the tilting bolt.
- Adjust monitor to your desired tilt angle.
- Retighten the tilting bolt to fix the intended angle.

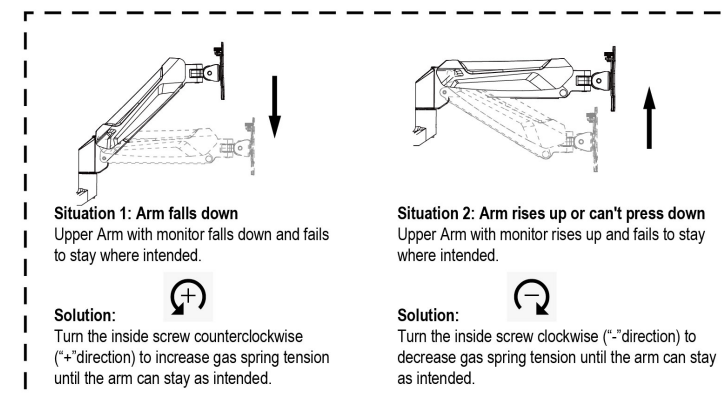


4-2 Tension Adjustment

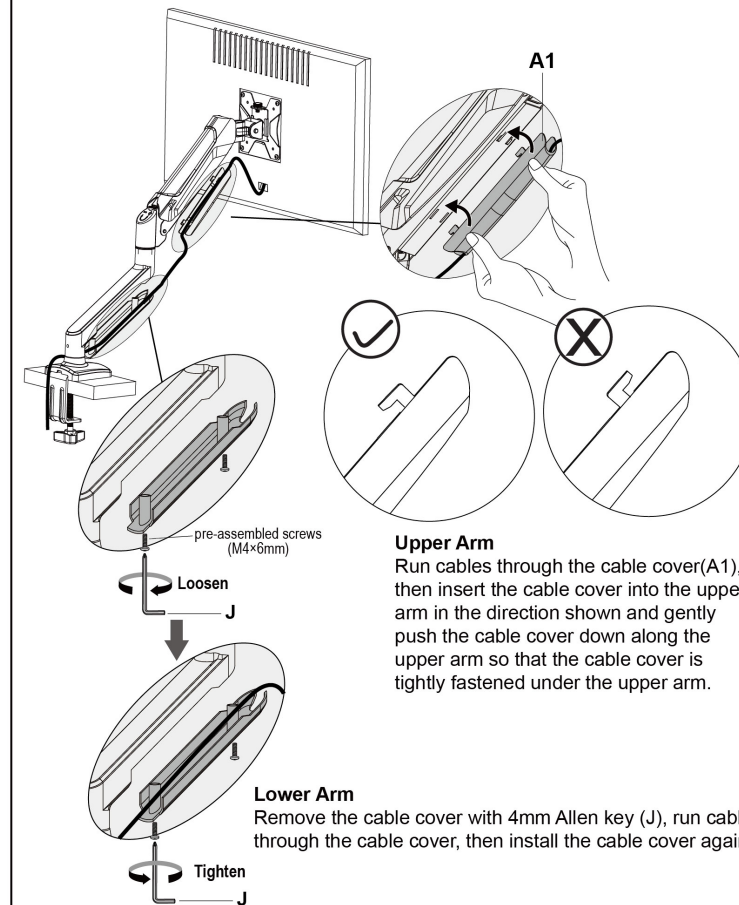
The gas spring is pre-set for a load-bearing range of 8.8 lbs -13.2 lbs. For intended functioning of the mount, you may need to adjust the tension of Arm in accordance with your monitor weight by 6mm Allen key (K).



Note: Be sure to keep the arm in a horizontal position during adjustment. Or else it would be difficult to adjust the mount or damage the mount.



5 Cable Management



Adjust monitor position and rotation.

