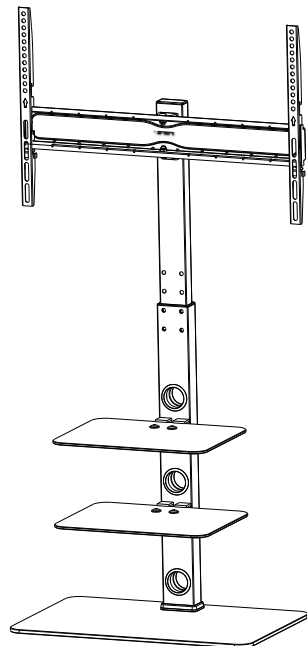


TV Stand

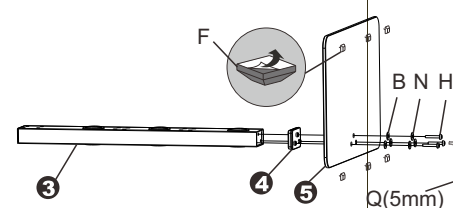


Component Checklist

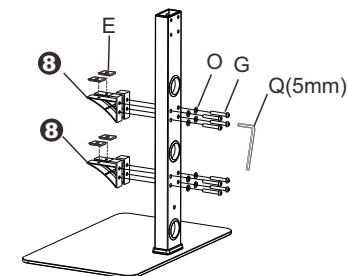
1 (x1) TV Plate	2 (x2) Monitor Brackets	M4X15 TV1 X4	M4X30 TV1 X4	M6X15 TV2 X4	M6X30 TV3 X4
3 (x1) Support Pillar	4 (x1) Plastic Cover	M8X15 TV4 X4	M8X45 TV5 X4	Washer TV6 X4	SP1 TV7 X8
5 (x1) Tempered Glass	6 (x1) Support Pillar	SP2 TV8 X8			
7 (x2) Tempered Glass	8 (x4) Tempered Glass				
Safety Lock(x2) A	M8x20x1 plastic washer(x9) B	(x2) wire clip(x2) C	(x4) Rubber Foot(x6) E	M8x50(x12) G	M8x40(x3) H
M6x40(x4) J	M8(x6) K	M6(x4) L	M8x15(x4) M	M8x22x2(x3) N	M8x16x1(x20) O
M5x30(x2) P	4mm(x1) Q	5mm(x1) Q	10mm(x1) R	13mm(x1) R	

1 ③+④+⑤+H(x3)+B(x3)+N(x3)+F(x6)+Q(5mm)

Do not over-tighten part H. Part N and B must be installed in correct order shown on the diagram.

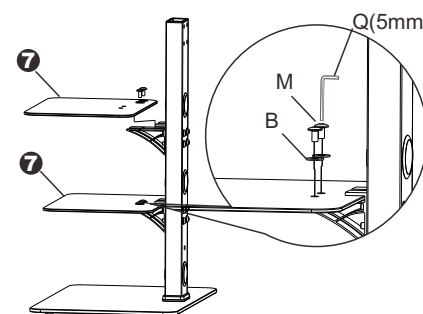


2 ③+O(x8)+G(x8)+Q(5mm)+E(x4)

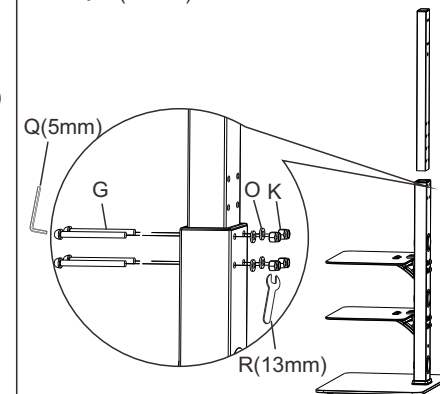


3 ⑦+M(x4)+B(x4)+Q(5mm)

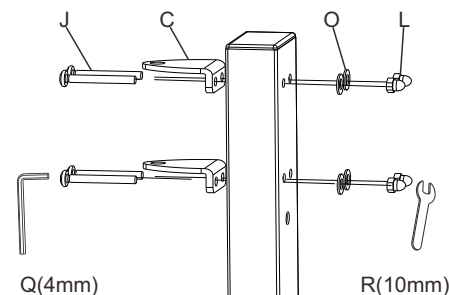
Do not over-tighten part M. Part B must be installed in correct order shown on the diagram.



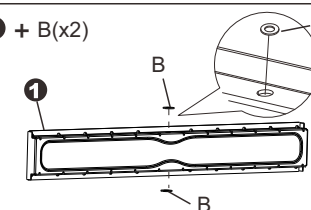
4 ⑥+G(x4)+O(x4)+K(x4)+Q(5mm)+R(13mm)



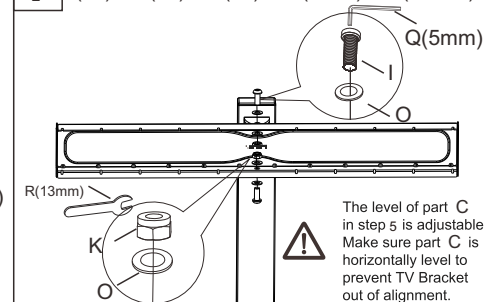
5 C(x2)+J(x4)+O(x4)+L(x4)+Q(4mm)+R(10mm)



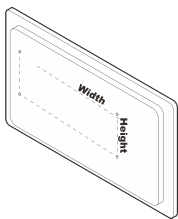
6 ①+B(x2)



7 I(x2)+K(x2)+O(x4)+Q(5mm)+R(13mm)



8 Check TV Screws

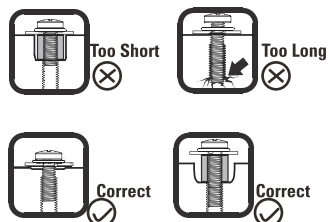


Measure the distance between the holes located at the back of your TV (these measures may form the shape of a square, or a rectangle) and check that these taken measures are within the VESA(*) range for this wall mount. (*) VESA: International standard established by the TV manufacturers used to determine if LCD / LED TVs are compatible with wall mounts.

75 mm ≈ 2 7/8 in 100 mm ≈ 4 in
200 mm ≈ 7 7/8 in 300 mm ≈ 11 3/4 in
400 mm ≈ 15 3/4 in



When attaching brackets to the flat screen, be careful not to over tighten screws and be sure that screws do not bottom out in the mounting holes.



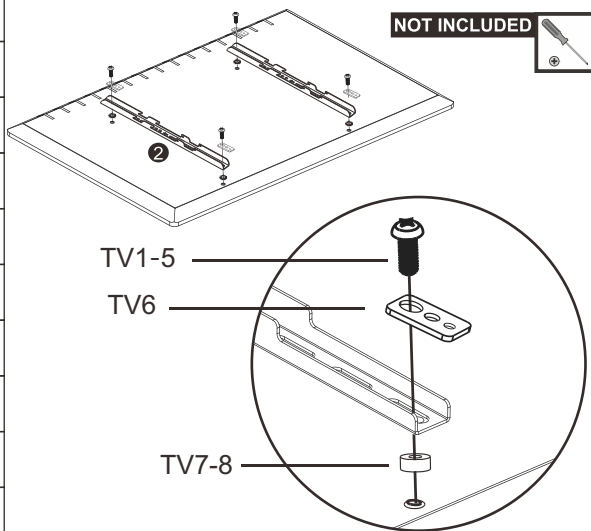
Check TV screws

Please select the proper screw length for your TV by hand tightening to check your flat panel thread depth.



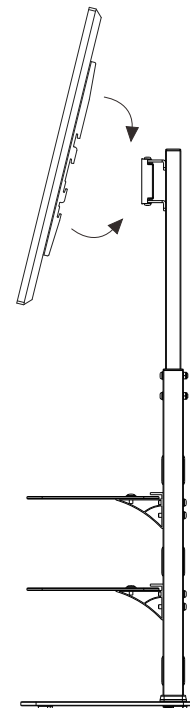
9 Mounting the Monitor Bracket to a TV

	x 2
TV1	M4X15 x 4
TV1	M4X30 x 4
TV2	M6X15 x 4
TV3	M6X30 x 4
TV4	M8X15 x 4
TV5	M8X45 x 4
TV6	Washer x 4
TV7	M8x5 Spacer x 8
TV8	M8x10 Spacer x 8



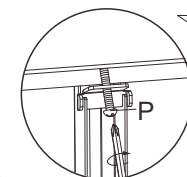
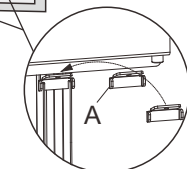
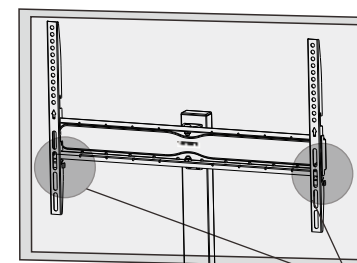
First, make sure the diameter of the bolt (TV1-5) fits your TV. Then, please see the diagram above. You will need to thread the bolt into the TV using the correct washer (TV6) and spacer (TV7-8) if necessary. Please make sure the monitor brackets are vertically centered and level with each other

10 Attaching TV to TV Plate



A(x2) + P(x2)

NOT INCLUDED



D x2

