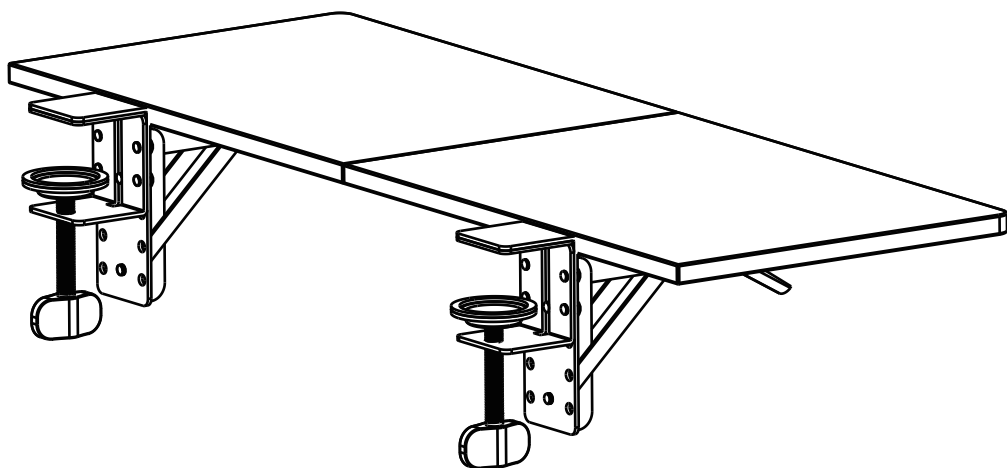


BONTEC

INSTALLATION MANUAL

DESK EXTENSION

Model: EH05



Thank you for choosing our products.

UNPACKING INSTRUCTIONS

- Carefully open the carton, remove contents and lay out on cardboard or other protective surface to avoid damage.
- Check package contents against the Supplied Parts List in the next page to assure that all components were received undamaged. Do not use damaged or defective parts.
- Carefully read all instructions before attempting installation.

IMPORTANT SAFETY INFORMATION

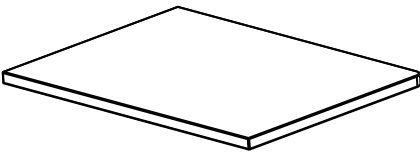
Install and operate this device with care. Please read this instruction before beginning the installation, and carefully follow all instructions contained herein. Use proper safety equipment during installation.

Please call a qualified installation contractor for help if you:

- If you don't understand these directions or have any doubts about the safety of the installation.
- If you are uncertain about the nature of your wall, consult a qualified installation contractor.

Do not use this product for any purpose or in any configuration not explicitly specified in this instruction. We hereby disclaim any and all liability for injury or damage arising from incorrect assembly, incorrect mounting, or incorrect use of this product.

Supplied Parts



A (X2)



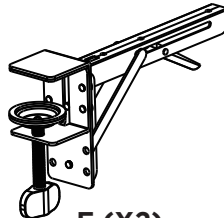
B (X2)



C (X8)

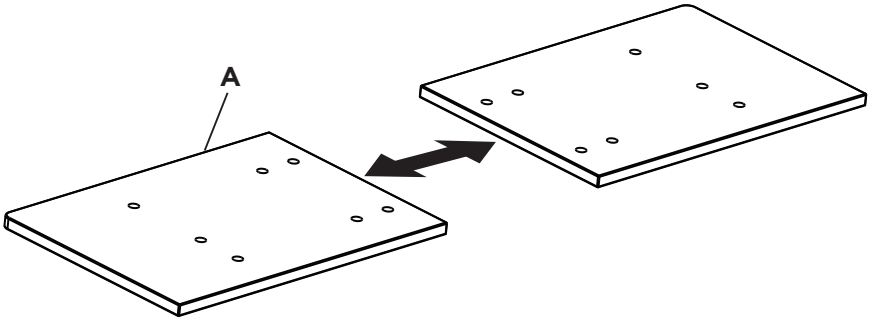


D (X6)

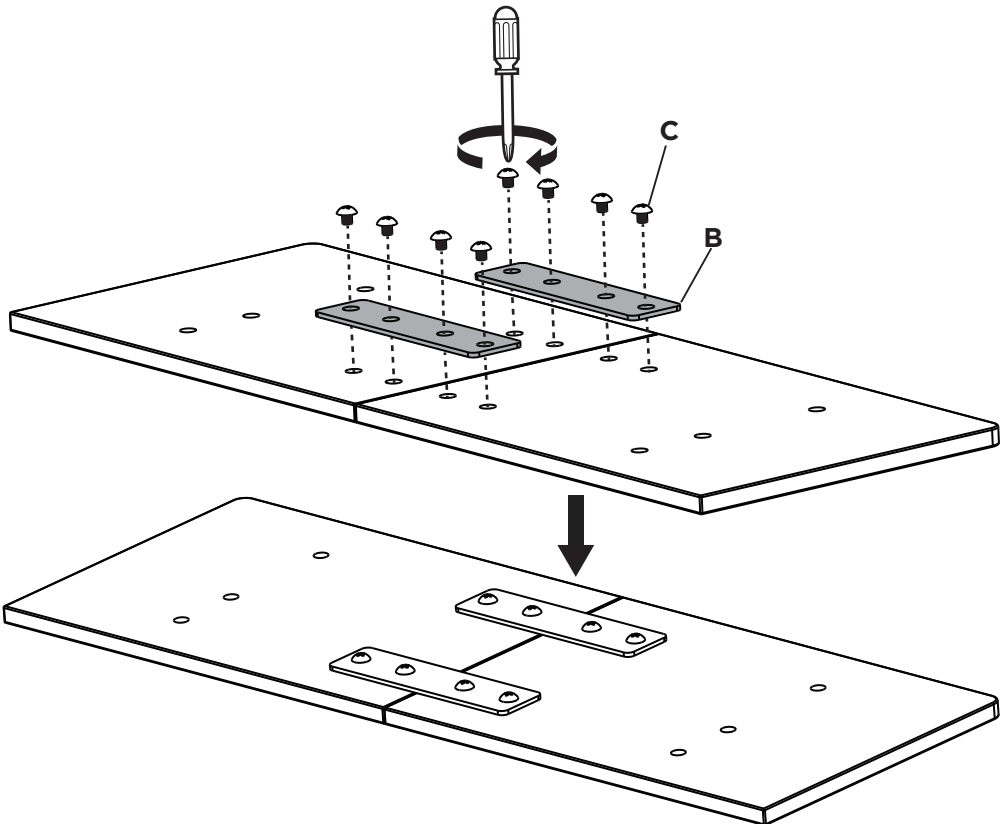


E (X2)

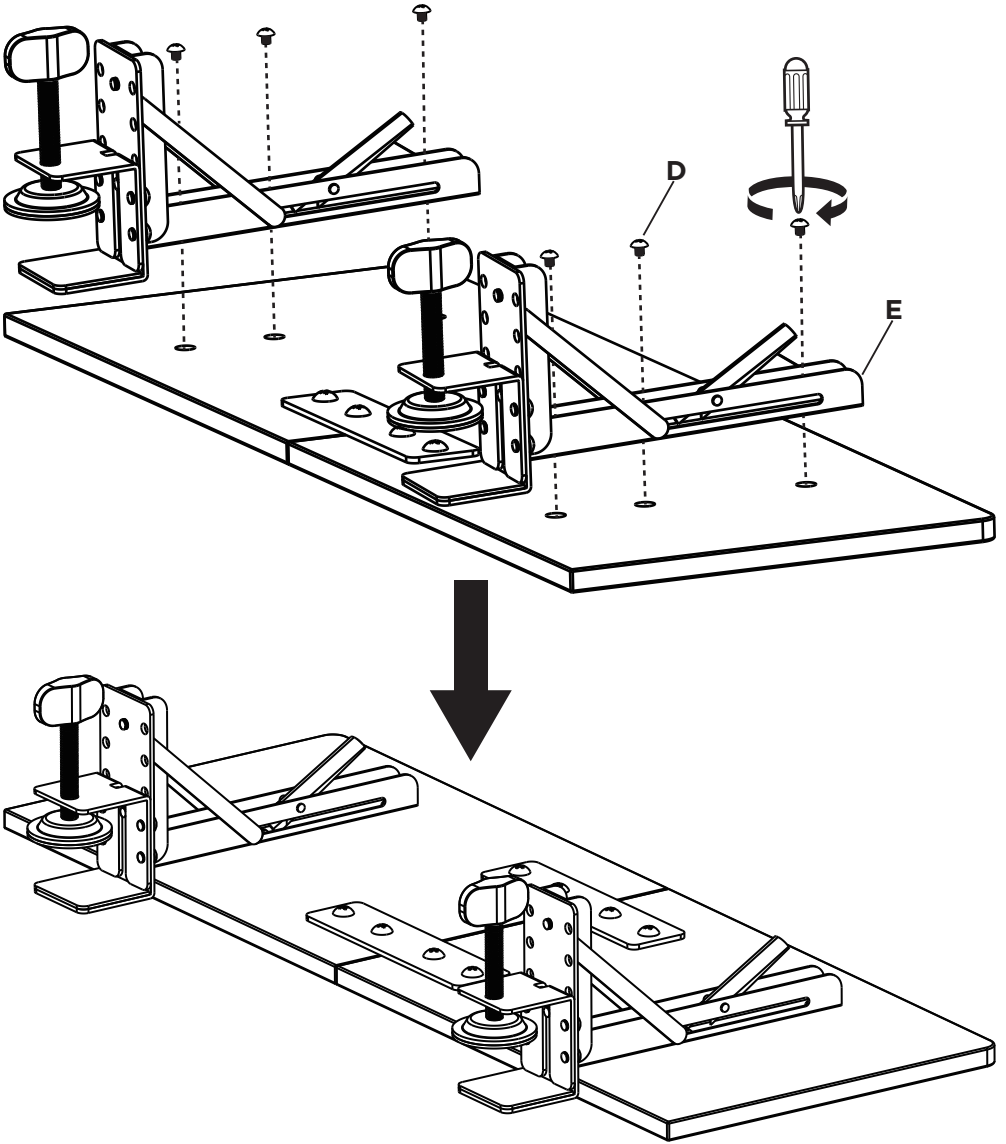
Step 1



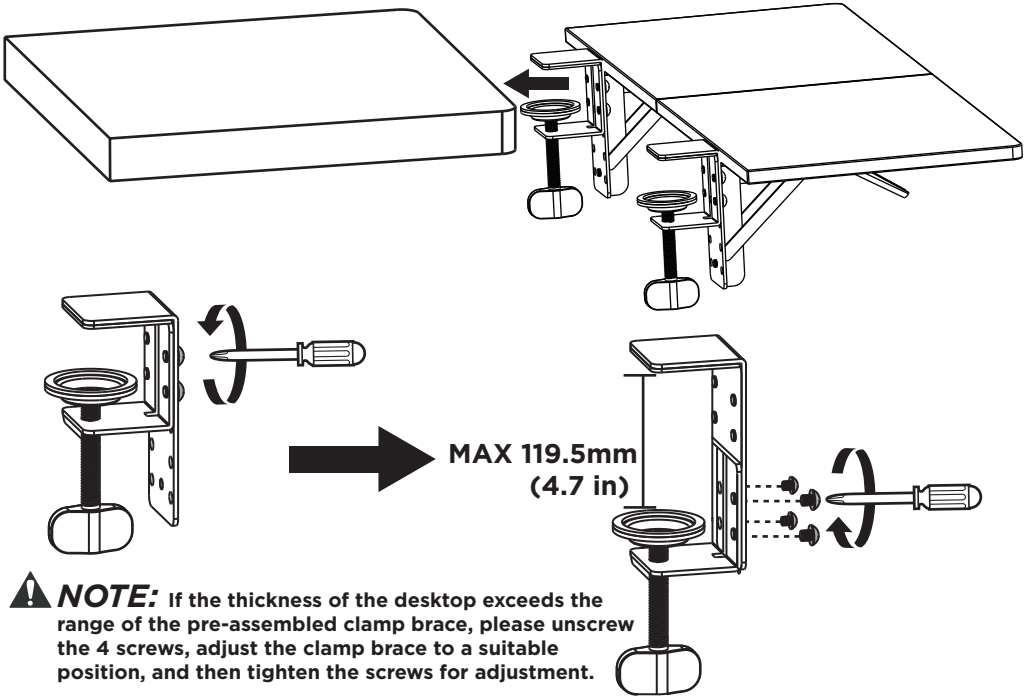
Step 2



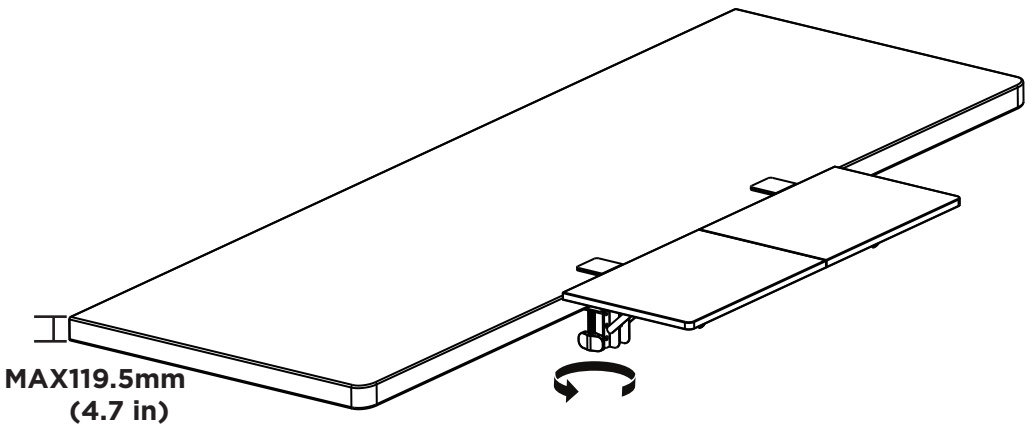
Step 3



Step 4



⚠ NOTE: If the thickness of the desktop exceeds the range of the pre-assembled clamp brace, please unscrew the 4 screws, adjust the clamp brace to a suitable position, and then tighten the screws for adjustment.



Step 5

⚠ NOTE: To fold the board and make it perpendicular to the desktop, please press the controller with both hands at the same time as shown in the manual.

