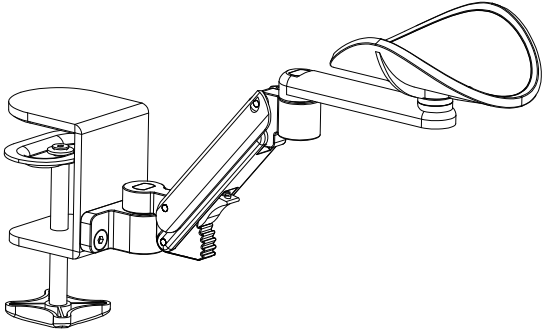


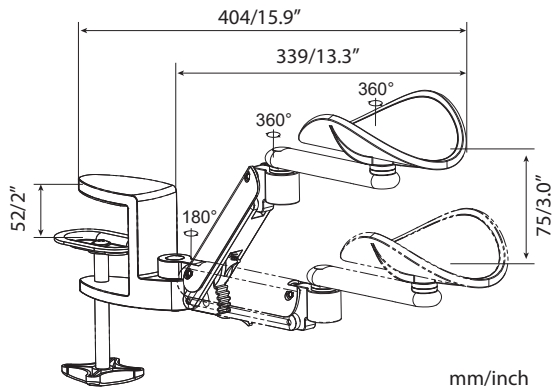
BONTEC

MOUNTING INSTRUCTIONS

Model:EH01

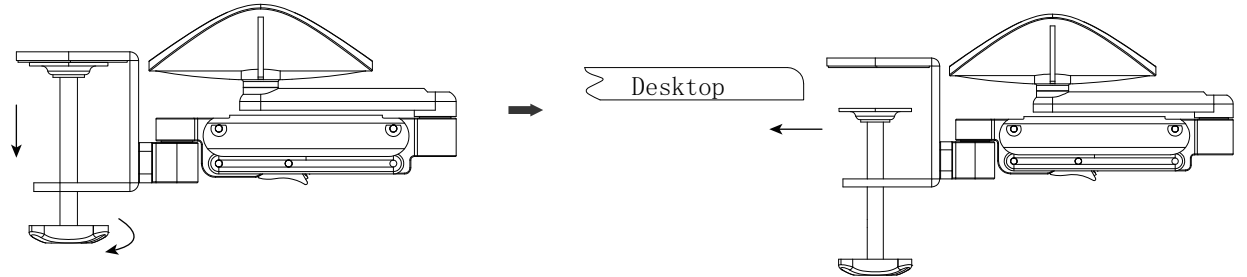


▶ LINE GRAPH

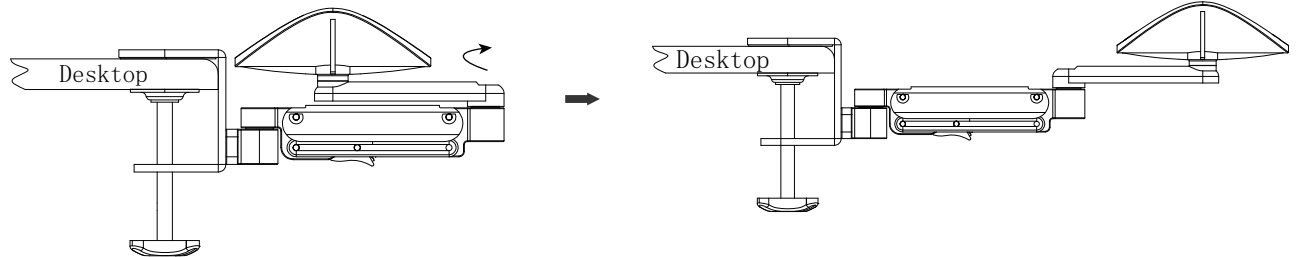


▶ INSTALLATION

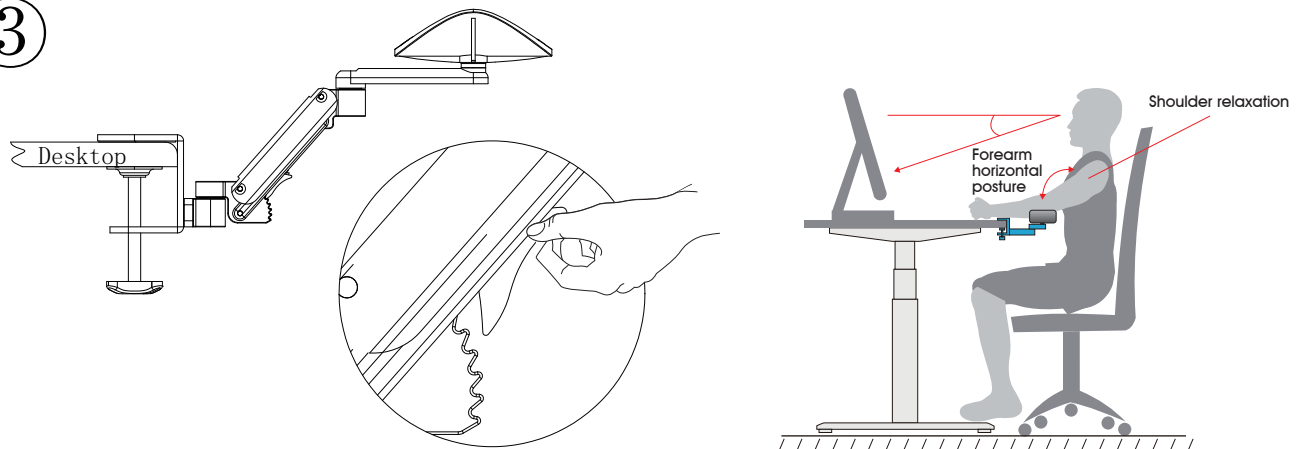
①



②



③



Manual lifting allows the arms to be adjusted up and down