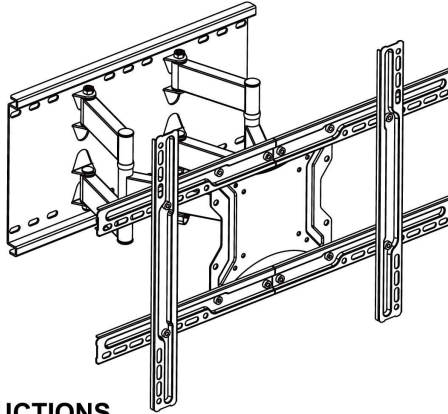


# Installation Instruction

**CT137B-v02**

## UNPACKING INSTRUCTIONS

- Carefully open the carton, remove contents and lay out on cardboard or other protective surface to avoid damage.
- Check package contents against the Supplied Parts List in the next page to assure that all components were received undamaged. Do not use damaged or defective parts.
- Carefully read all instructions before attempting installation.

## IMPORTANT SAFETY INFORMATION

Install and operate this device with care. Please read this instruction before beginning the installation, and carefully follow all instructions contained herein. Use proper safety equipment during installation.

Please call a qualified installation contractor for help if you:

- If you don't understand these directions or have any doubts about the safety of the installation.
- If you are uncertain about the nature of your wall, consult a qualified installation contractor.

Do not use this product for any purpose or in any configuration not explicitly specified in this instruction. We hereby disclaim any and all liability for injury or damage arising from incorrect assembly, incorrect mounting, or incorrect use of this product.

**WARNING**

## CAUTION!

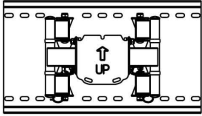
**This TV mount must be securely attached to the vertical wall. If the mount is not properly installed it may fall, resulting in possible injury and/or damage.**

**Tools Required**

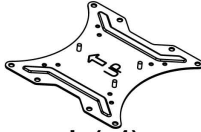
- |                        |                    |                        |
|------------------------|--------------------|------------------------|
| ■ 4mm Drill Bit        | ■ 10mm Masonry Bit | ■ Wrench or Socket Set |
| ■ Phillips Screwdriver | ■ Stud Finder      | ■ Carpenter's Level    |

**Note:** The mounting components and hardware supplied in this package are not designed for installations to walls with steel studs or to cinder block walls. If the hardware you need for your installation is not included, please consult your local hardware store for proper mounting hardware for the application.

# Supplied Parts List



**a (x1)**  
Wall Plate with Arm



**b (x1)**  
VESA 200 Plate



**c (x2)**  
300mm Bar A



**d (x2)**  
300mm Bar B



**e (x2)**  
400mm Bar



**f (x2)**  
Contact Bar



**g (x1)**  
M6 Wrench



**h (x3)**  
Cushioned Nut



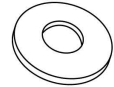
**i (x3)**  
Plastic Washer



**j (x8)**  
M6x8 Bolt



**k (x4)**  
M6x10 Bolt



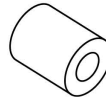
**l (x8)**  
M6 Washer



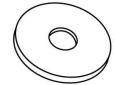
**A (x4)**  
M4 Spacer



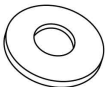
**B (x8)**  
5mm M6/M8 Spacer



**C (x4)**  
20mm M6/M8 Spacer



**D (x4)**  
M4 Washer



**E (x4)**  
M6 Washer



**F (x4)**  
M8 Washer



**G (x4)**  
M4x12 Bolt



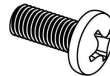
**H (x4)**  
M4x30 Bolt



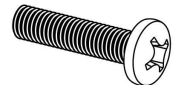
**J (x4)**  
M6x20 Bolt



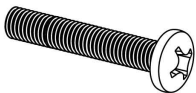
**K (x4)**  
M6x35 Bolt



**L (x4)**  
M8x20 Bolt



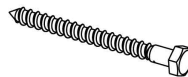
**M (x4)**  
M8x35 Bolt



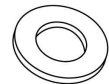
**N (x4)**  
M8x45 Bolt



**O (x6)**  
M10x80mm  
Concrete Anchor



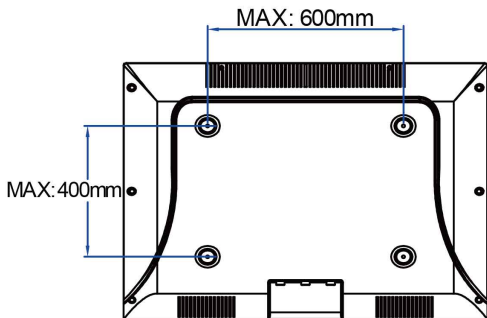
**P (x6)**  
M8x90mm Lag Bolt



**Q (x6)**  
Lag Bolt Washer

# Before getting started, let's make sure this mount is perfect for you!

1. Is your TV VESA equal to/greater than 100x100mm and equal to/less than 600x400mm?

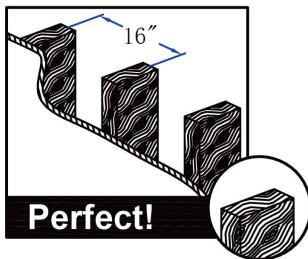


**Yes --- Perfect!**

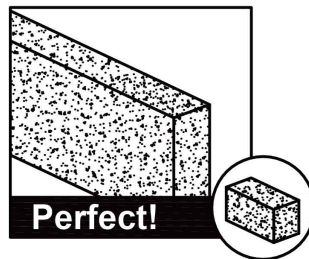
**No --- This mount is **NOT** compatible.**

2. What is your wall made of?

**▲ CAUTION:**  
**DO NOT** install  
into drywall alone



Drywall with  
**wood studs?**



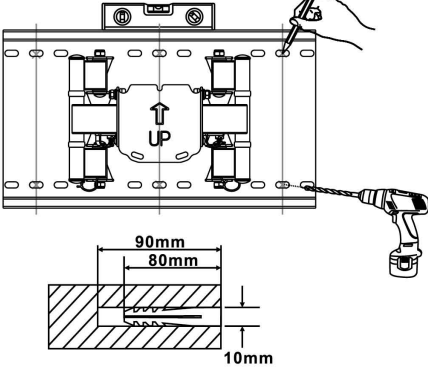
Solid concrete wall?

# Step 1

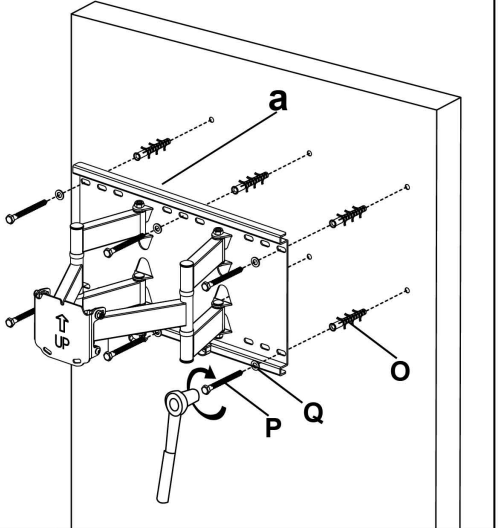
# Mounting the Wall Plate to the Wall

## Brick or Concrete Wall

1.1

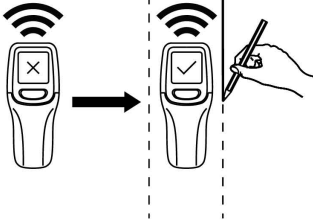


1.2

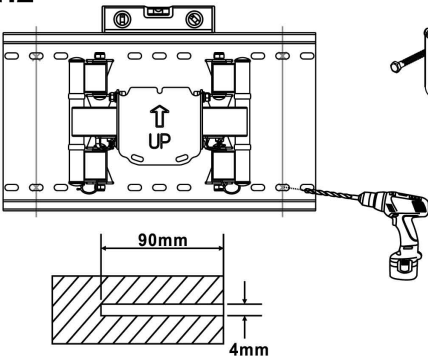


## Wood Studs Wall

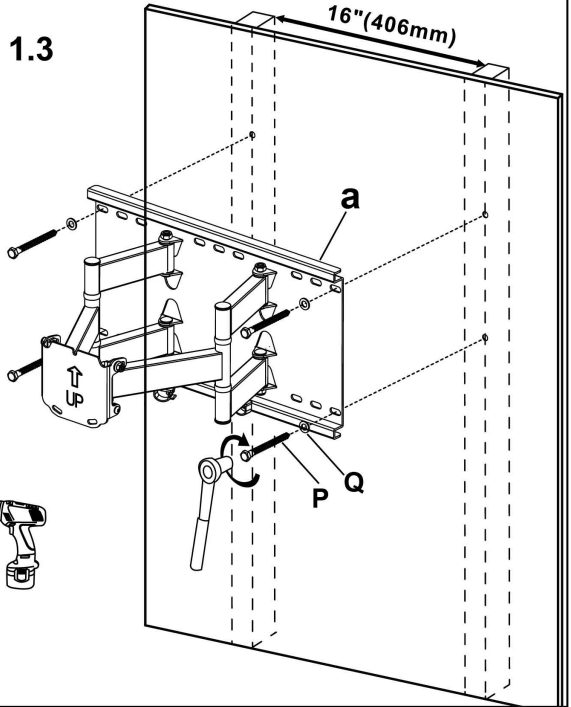
1.1



1.2



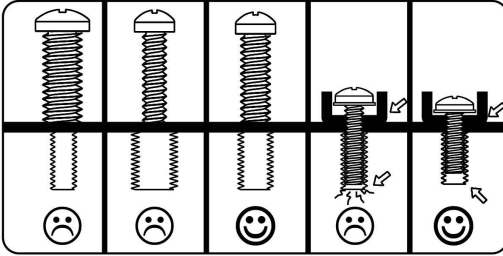
1.3



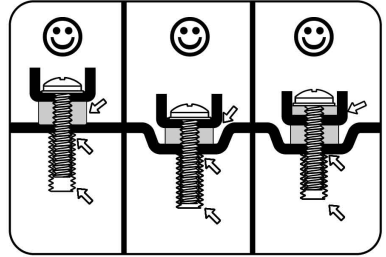
## Step 2

## Install VESA Plate to the back of TV

### 2.1 G/H/J/K/L/M/N

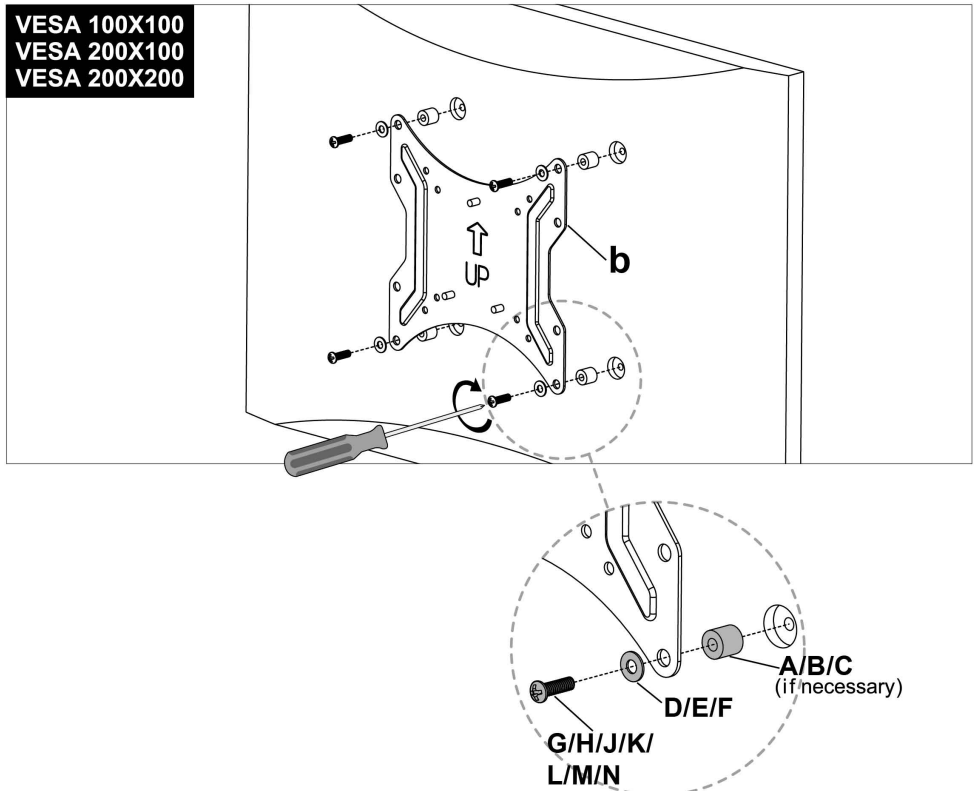


### 2.2 A/B/C (Optional)



### 2.3 A: Mounting instructions for VESA 100 x 100, 200 x 100, 200 x 200

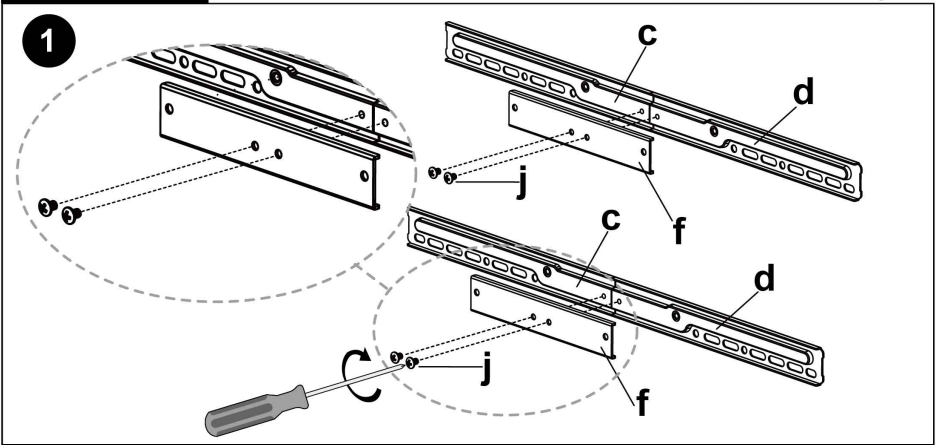
Attach TV Plate (**b**) to Mounting Holes on TV using appropriate TV Bolts and TV Washers. Use TV Spacers if necessary.



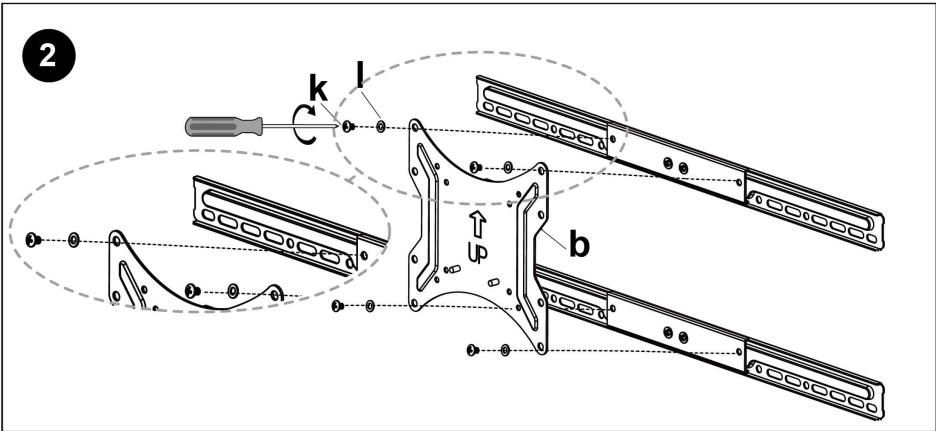
## 2.3 B: Mounting instructions for VESA 400 x 200

**VESA 400X200**

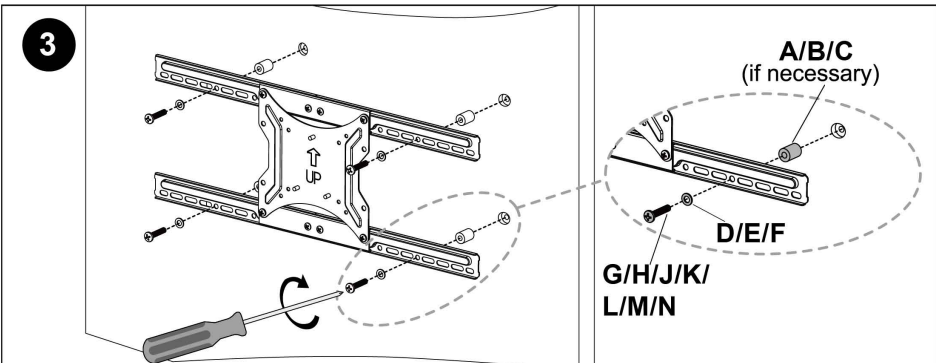
1. Connect Bar-**c** and Bar-**d** with Bar-**f**, using M6\*8 Bolt-**j**



2. Attach TV Plate (**b**) to Bar-**c** & Bar-**d**, using M6x10 Bolts - **k** and M6 Washers- **l**.



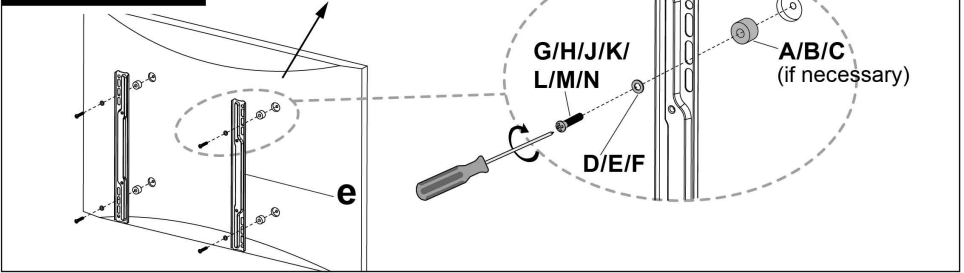
3. Install VESA Plate to the back of TV



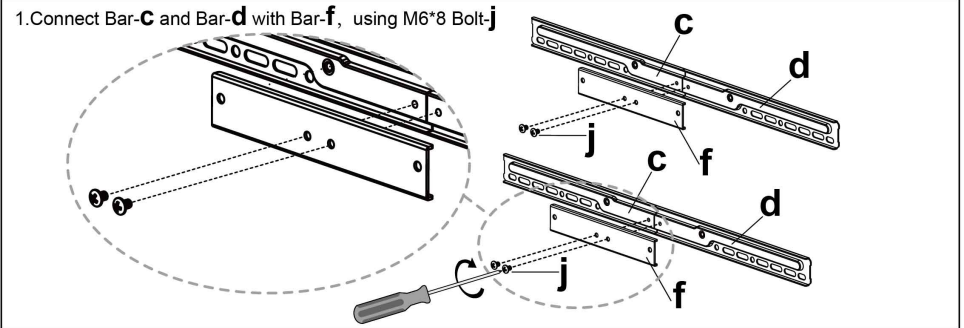
## 2.3 C: Mounting instructions for VESA 300 x 300, 400 x 400, 600 x 400

**VESA 300x300**  
**VESA 400x400**  
**VESA 600x400**

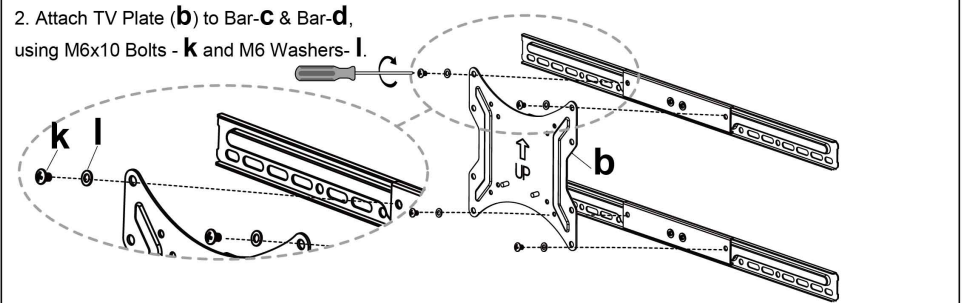
Install the "400mm Bar-**e**" to back of TV first before connect to the "300mm Bar(**c,d**)".



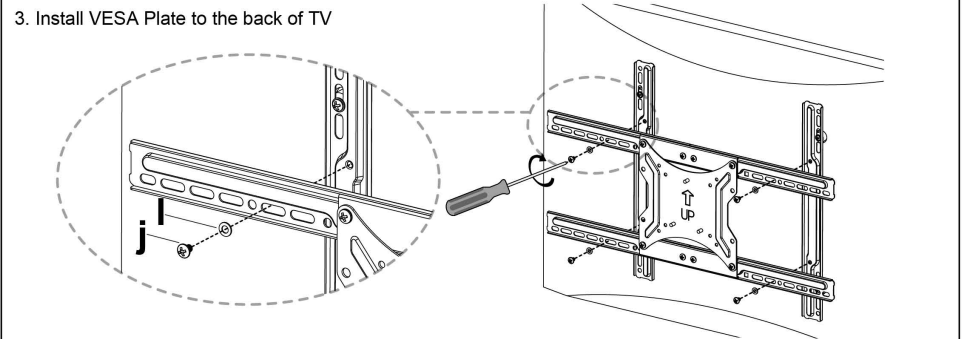
1. Connect Bar-**c** and Bar-**d** with Bar-**f**, using M6\*8 Bolt-**j**



2. Attach TV Plate (**b**) to Bar-**c** & Bar-**d**, using M6x10 Bolts - **k** and M6 Washers - **l**.



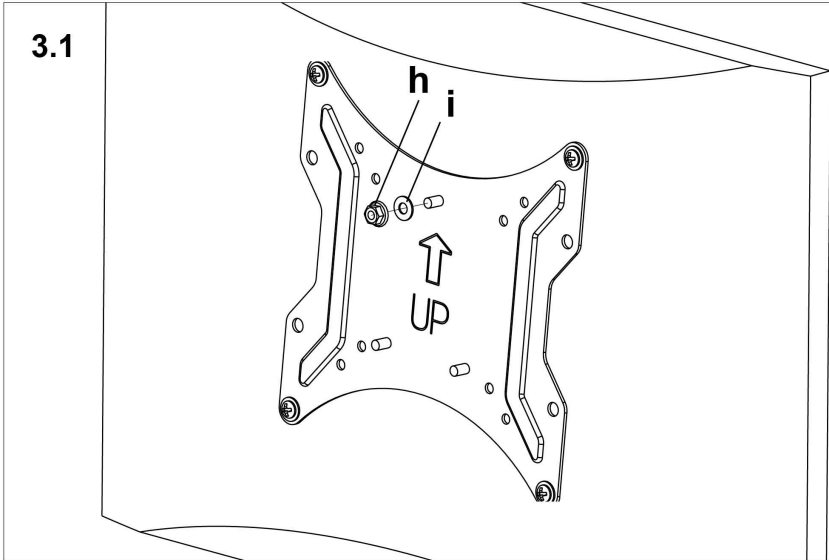
3. Install VESA Plate to the back of TV



## Step 3

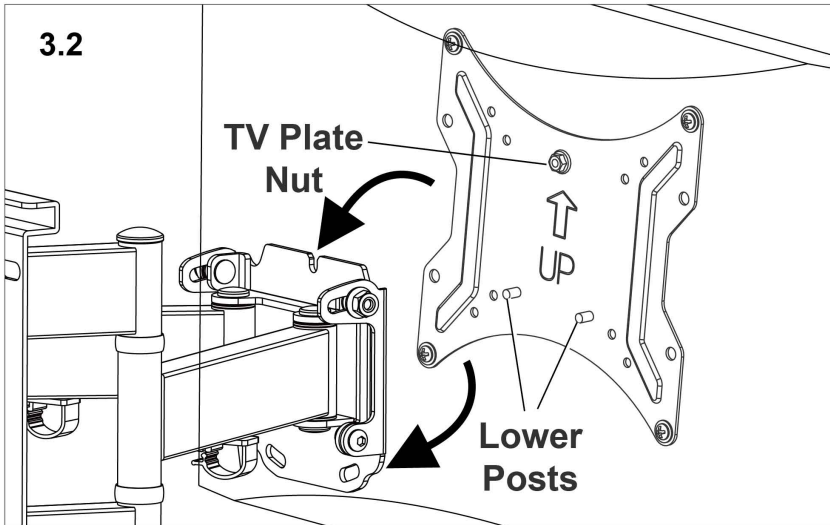
# Mounting the TV to the Wall Plate

3.1



1. Attach TV Plate Washer (**i**) and Nut (**h**) to Upper Post using included Wrench. Do not tighten Nut.

3.2

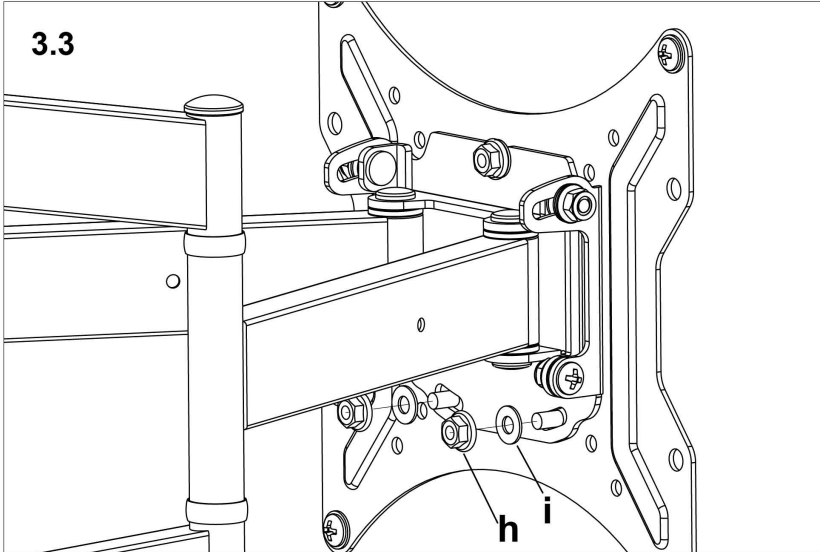


2. Using an assistant, lift TV, slide TV Plate Nut over Notch on TV Mount and route Lower Posts through Lower Post Holes.

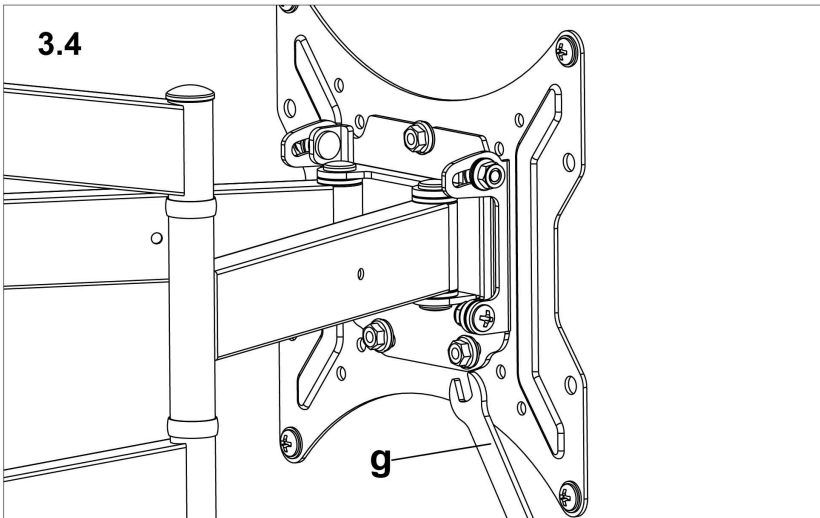


## Step 3

## Mounting the TV to the Wall Plate

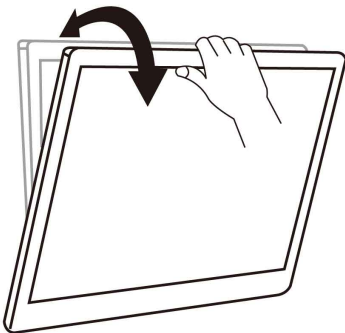
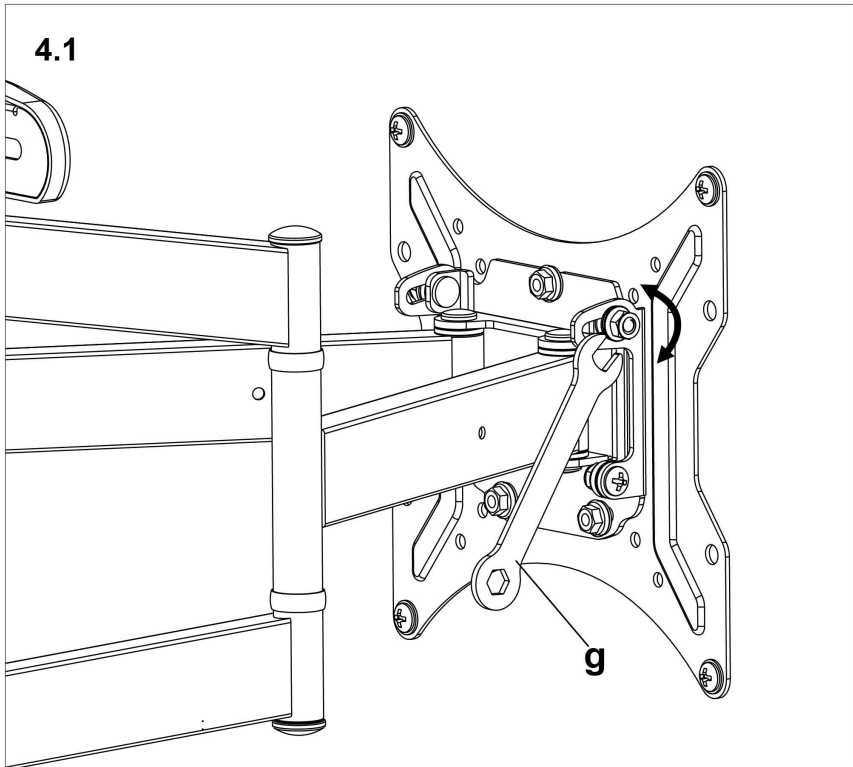


3. Attach TV Plate Washers (**i**) and Nuts (**h**) to Lower Posts using included Wrench. Do not tighten Nuts.



4. Level TV, then tighten Nuts on Upper and Lower Posts securely.

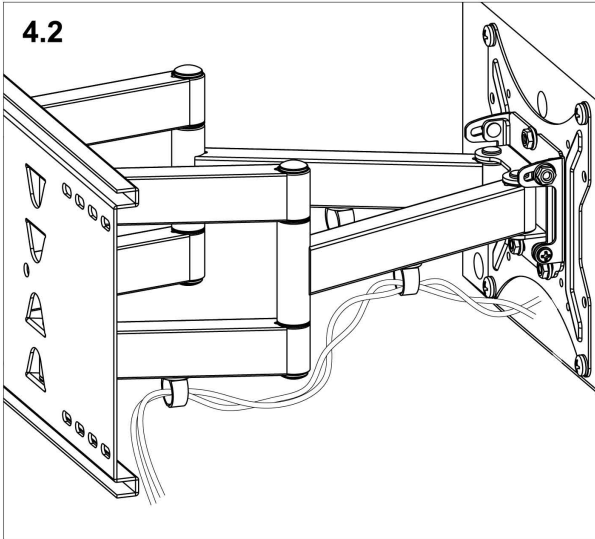
## Step 4 Final Installation



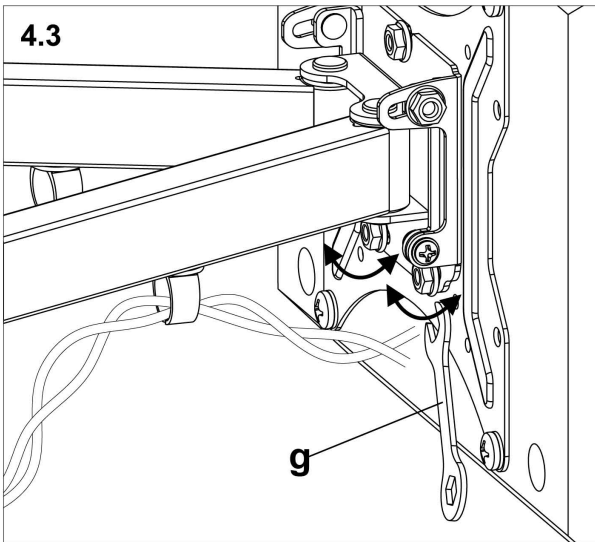
### Adjust Tilt if desired

- Loosen Tilt Adjustment Nuts on Wall Mount (behind TV Plate) with included Wrench.
- Adjust tilt.
- Tighten Tilt Adjustment Nuts.

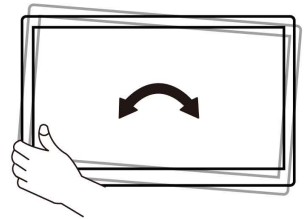
## Step 4 Final Installation



Route TV wires through clips.



Level adjustment



Thank you for choosing our products.

