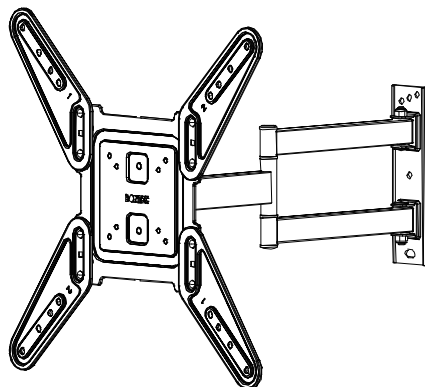


Installation Instruction

**CT130E**

UNPACKING INSTRUCTIONS

- Carefully open the carton, remove contents and lay out on cardboard or other protective surface to avoid damage.
- Check package contents against the Supplied Parts List in the next page to assure that all components were received undamaged. Do not use damaged or defective parts.
- Carefully read all instructions before attempting installation.

IMPORTANT SAFETY INFORMATION

Install and operate this device with care. Please read this instruction before beginning the installation, and carefully follow all instructions contained herein. Use proper safety equipment during installation.

Please call a qualified installation contractor for help if you:

- If you don't understand these directions or have any doubts about the safety of the installation.
- If you are uncertain about the nature of your wall, consult a qualified installation contractor.

Do not use this product for any purpose or in any configuration not explicitly specified in this instruction. We hereby disclaim any and all liability for injury or damage arising from incorrect assembly, incorrect mounting, or incorrect use of this product.

**WARNING**

CAUTION!

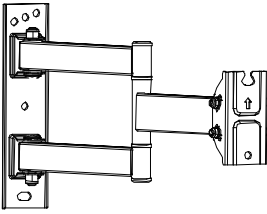
This TV mount must be securely attached to the vertical wall. If the mount is not properly installed it may fall, resulting in possible injury and/or damage.

Tools Required

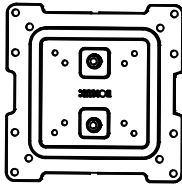
- | | | |
|------------------------|--------------------|------------------------|
| ■ 4mm Drill Bit | ■ 10mm Masonry Bit | ■ Wrench or Socket Set |
| ■ Phillips Screwdriver | ■ Stud Finder | ■ Carpenter's Level |

Note: The mounting components and hardware supplied in this package are not designed for installations to walls with steel studs or to cinder block walls. If the hardware you need for your installation is not included, please consult your local hardware store for proper mounting hardware for the application.

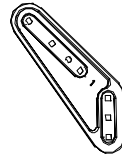
Supplied Parts List



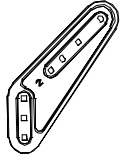
A (x1)



B (x1)



C (x2)



D (x2)



E (x8)



F (x8)



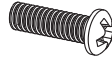
G (x1)



M4x12 (x4)
M-A



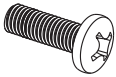
M4x30 (x4)
M-B



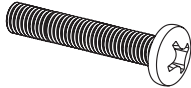
M6x15 (x4)
M-C



M6x30 (x4)
M-D



M8x20 (x4)
M-E



M8x50 (x4)
M-F



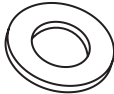
5mm (x8)
M-G



10mm (x8)
M-H



D6 Washers
M-I (x4)



D8 Washers
M-J (x4)



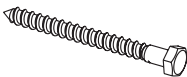
bubble level (x1)
M-K



Cable tie (x5)
M-L



HDMI cable (x1)
M-M



W-A (x3)



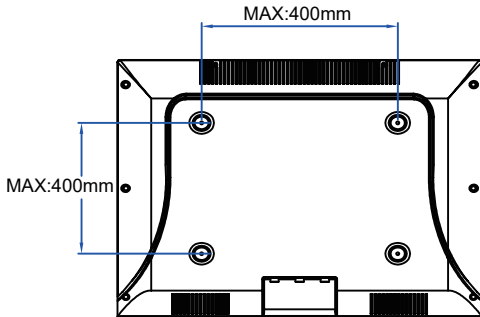
W-B (x3)



W-C (x3)

Before getting started, let's make sure this mount is perfect for you!

1. Is your TV VESA equal to/greater than 75x75mm and equal to/less than 400x400mm?

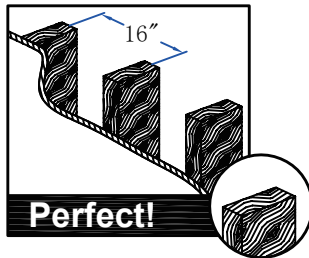


Yes --- Perfect!

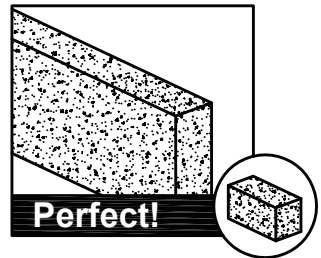
No --- This mount is **NOT** compatible.

2. What is your wall made of?

⚠ CAUTION:
DO NOT install
into drywall alone



Drywall with
wood studs?

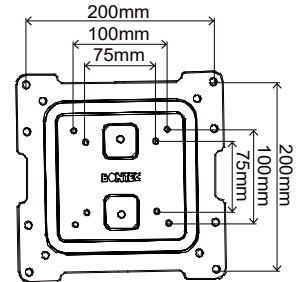


Solid concrete wall?

Step 3 Select monitor plate configuration

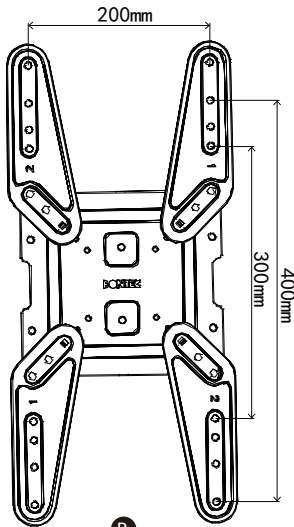
Select the configuration A,B,C,D,or E to use based on the measurement from STEP 2.

VESA Pattern (WxH)	Configuration	VESA Pattern (WxH)	Configuration
75mmx75mm	A	300mmx200mm	C
100mmx100mm	A	300mmx300mm	E
200mmx100mm	A	400mmx200mm	C
200mmx200mm	A	400mmx300mm	D
200mmx300mm	B	400mmx400mm	E
200mmx400mm	B		



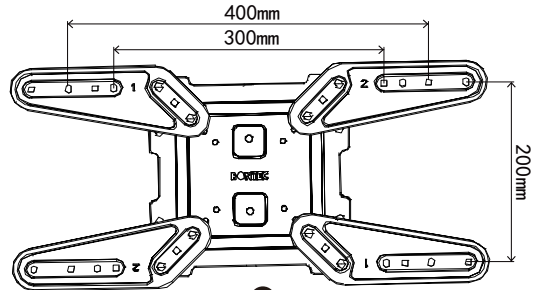
A

for VESA hole pattern:
75x75mm, 100x100mm
200x100mm, 200x200mm.



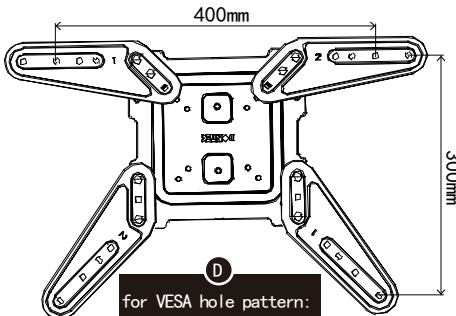
B

for VESA hole pattern:
200x300mm, 200x400mm



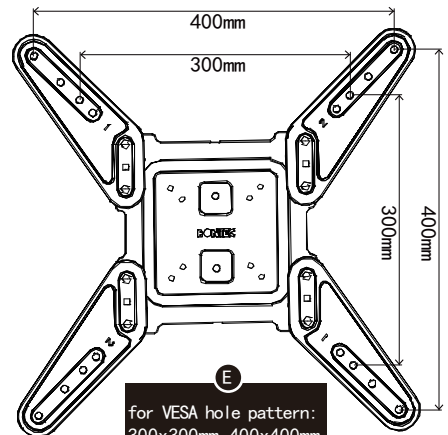
C

for VESA hole pattern:
400x200mm, 300x200mm



D

for VESA hole pattern:
400x300mm



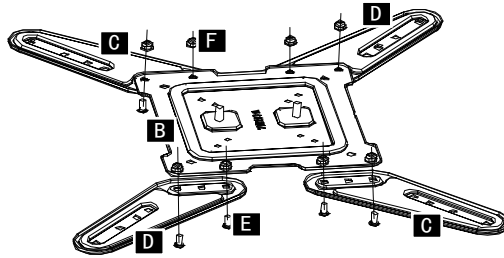
E

for VESA hole pattern:
300x300mm, 400x400mm

Step 4 Install VESA Plate to the back of TV

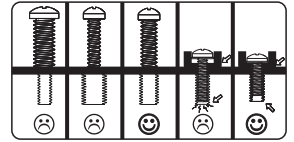
Assemble monitor plate and extenders

Manual Only!

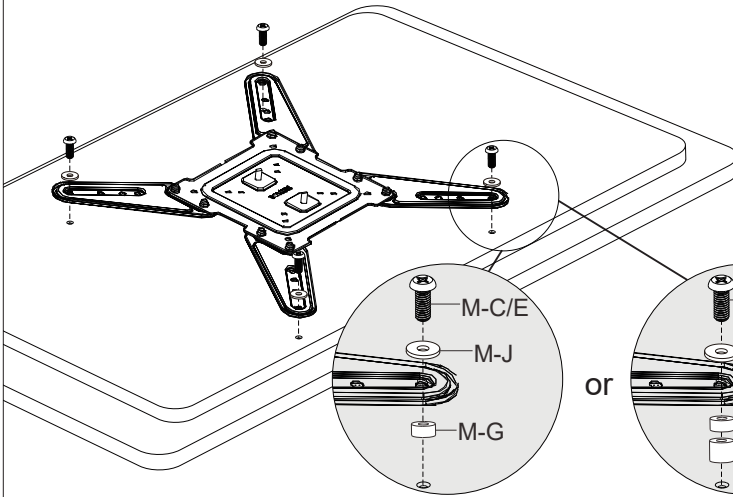
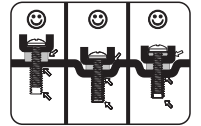


For Flat screen TV

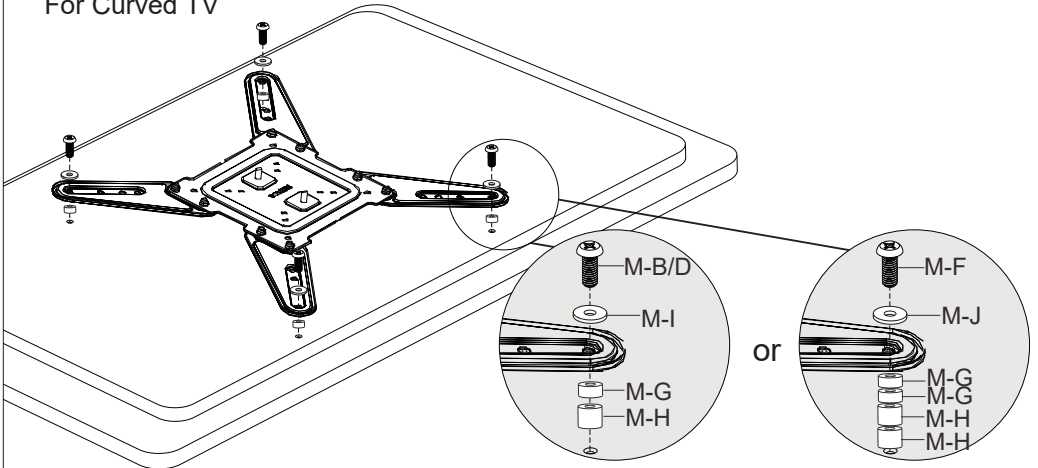
2.1 G/H/J/K/L/M/N



2.2 A/B/C (Optional)



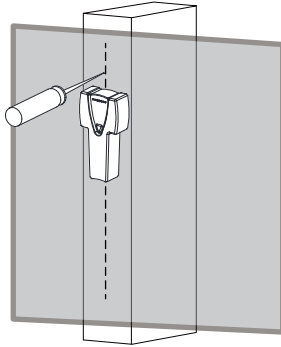
For Curved TV



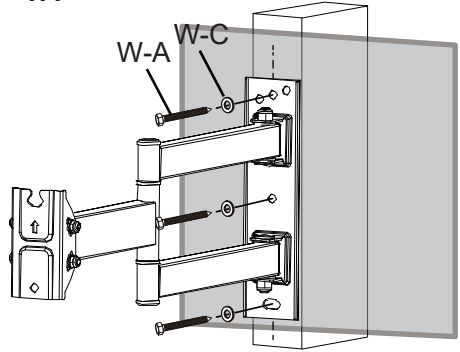
Step 5-1 Mounting the Wall Plate to the Wall

Wood Studs Wall

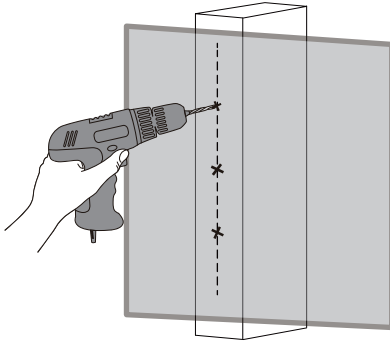
1.1



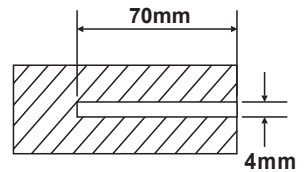
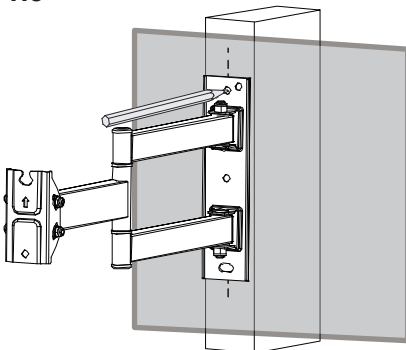
1.4



1.2



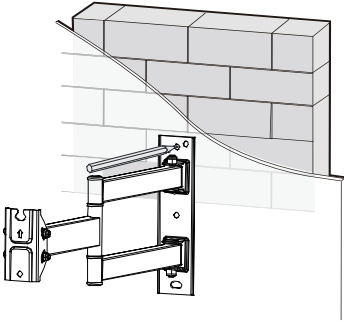
1.3



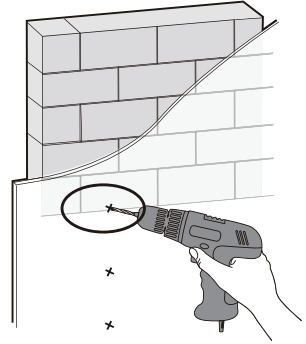
Step 5-2 Mounting the Wall Plate to the Wall

Brick or Concrete Wall

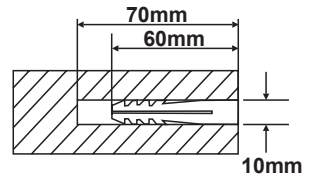
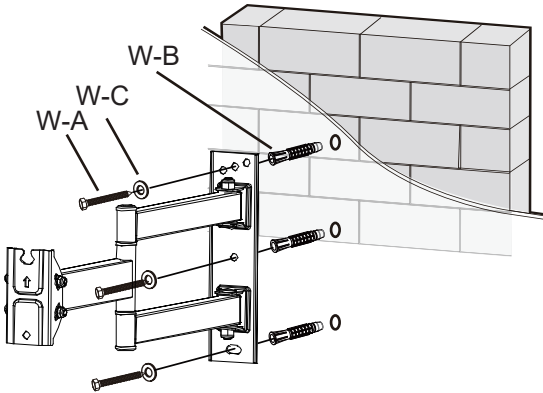
1.1



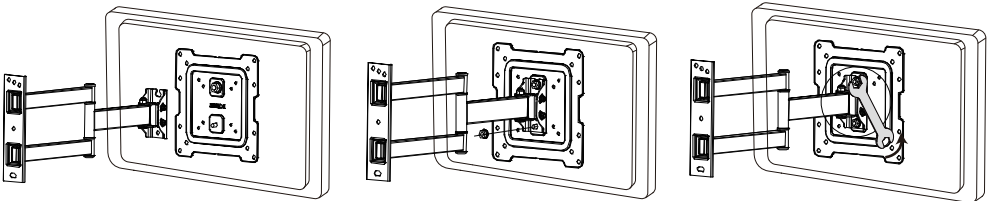
1.2



1.3



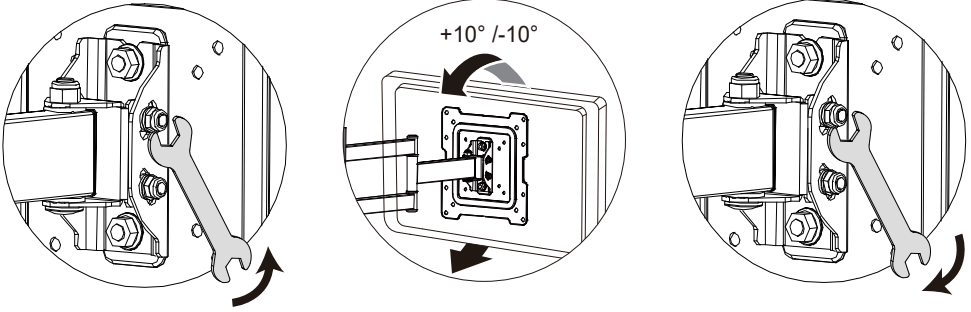
Step 6 Lift and hang TV with brackets onto wall bracket.



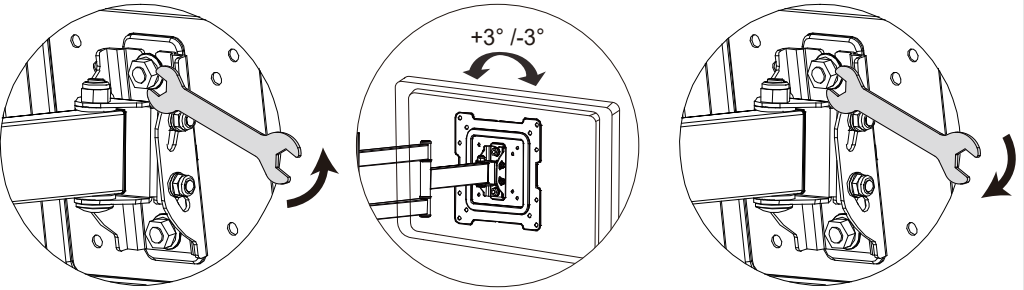
Step 7

Lift and hang TV with brackets onto wall bracket.

Tilting

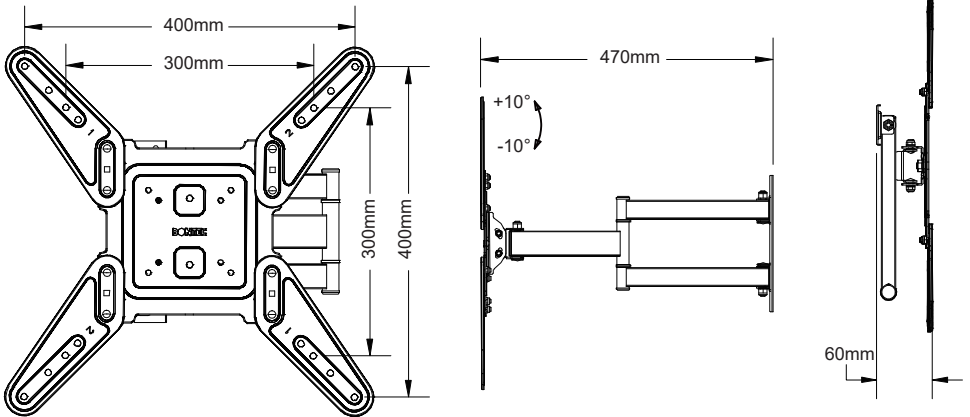


Leveling



Step 8

Product dimensions:



Thank you for choosing our products.