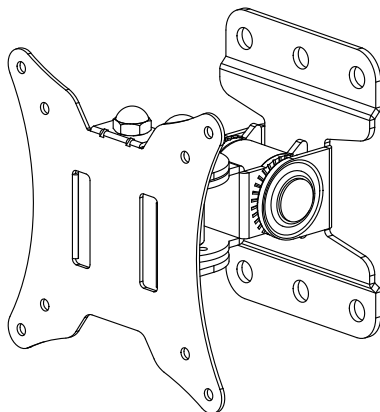


Installation Instruction


MODEL:236

UNPACKING INSTRUCTIONS

- Carefully open the carton, remove contents and lay out on cardboard or other protective surface to avoid damage.
- Check package contents against the Supplied Parts List in the next page to assure that all components were received undamaged. Do not use damaged or defective parts.
- Carefully read all instructions before attempting installation.

IMPORTANT SAFETY INFORMATION

Install and operate this device with care. Please read this instruction before beginning the installation, and carefully follow all instructions contained herein. Use proper safety equipment during installation.

Please call a qualified installation contractor for help if you:

- If you don't understand these directions or have any doubts about the safety of the installation.
- If you are uncertain about the nature of your wall, consult a qualified installation contractor.

Do not use this product for any purpose or in any configuration not explicitly specified in this instruction. We hereby disclaim any and all liability for injury or damage arising from incorrect assembly, incorrect mounting, or incorrect use of this product.


WARNING

CAUTION!

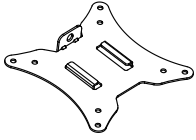
This TV mount must be securely attached to the vertical wall. If the mount is not properly installed it may fall, resulting in possible injury and/or damage.

Tools Required

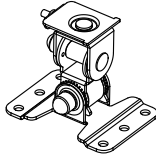
- | | | |
|---|--|---|
| <ul style="list-style-type: none"> ■ 3.8mm Drill Bit ■ Phillips Screwdriver | <ul style="list-style-type: none"> ■ 8mm Masonry Bit ■ Stud Finder | <ul style="list-style-type: none"> ■ Carpenter's Level |
|---|--|---|

Note: The mounting components and hardware supplied in this package are not designed for installations to walls with steel studs or to cinder block walls. If the hardware you need for your installation is not included, please consult your local hardware store for proper mounting hardware for the application.

Supplied Parts List



(1) Monitor Bracket-A



(1) Wall plate-B



(1) M6 Nut-C



(4) M4 Spacer-D



(4) M4 Washer-E



(4) M4x12 Bolt-F



(4) M4x30 Bolt-G



H



(4) Lag Bolt Washer-X



(4) M6x45mm
Lag Bolt-Y



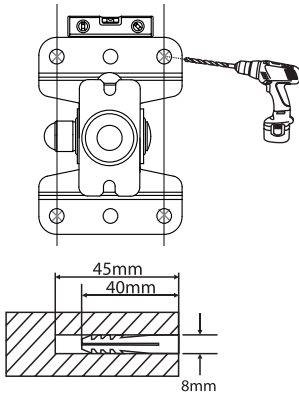
(4) M8x40mm
Concrete Anchor-Z

Step 1

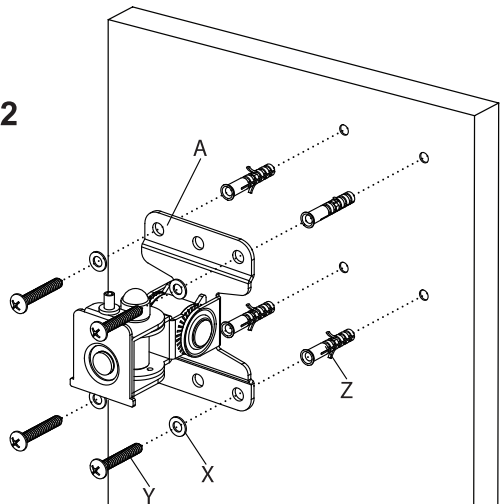
Mounting the Wall Plate to the Wall

Brick or Concrete Wall

1.1

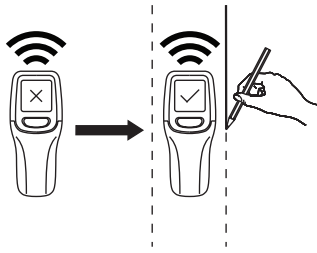


1.2

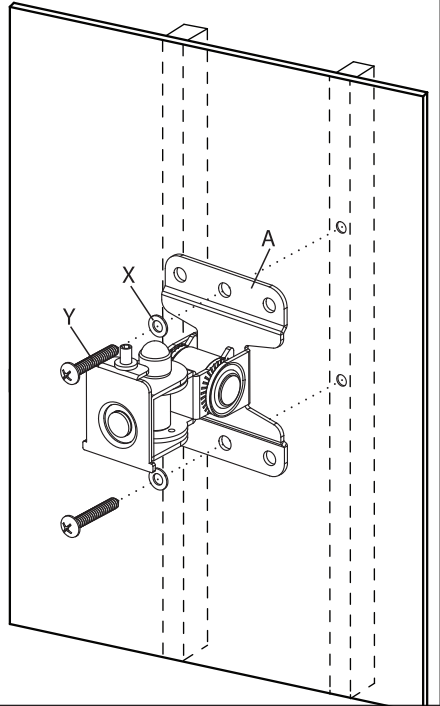


Wood Studs Wall

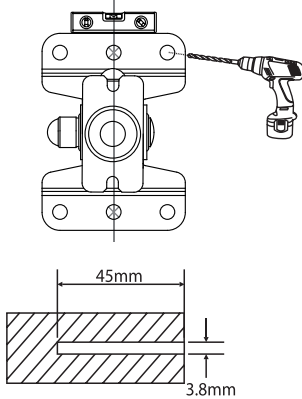
1.1



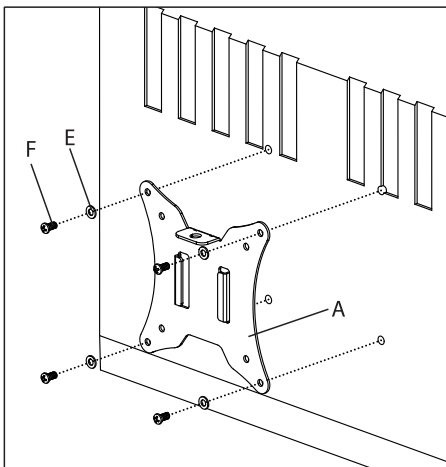
1.3



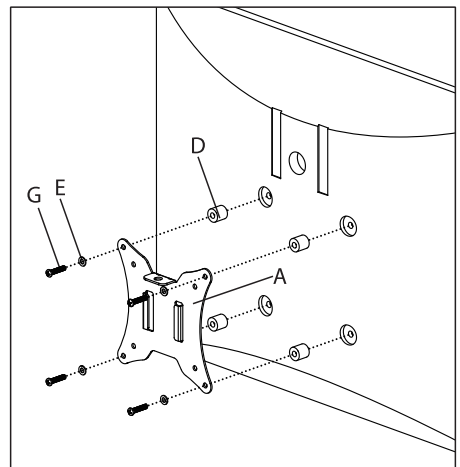
1.2



Step 2 Mounting the Monitor Bracket to a TV



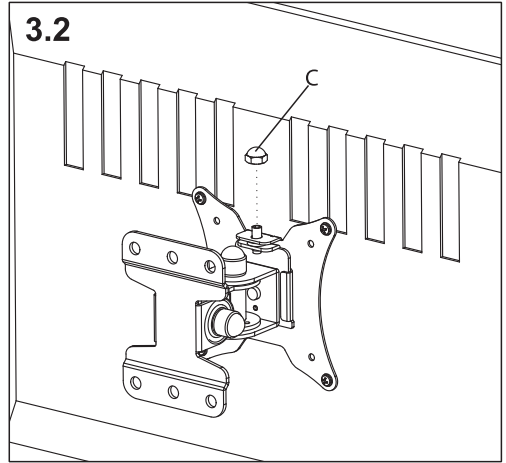
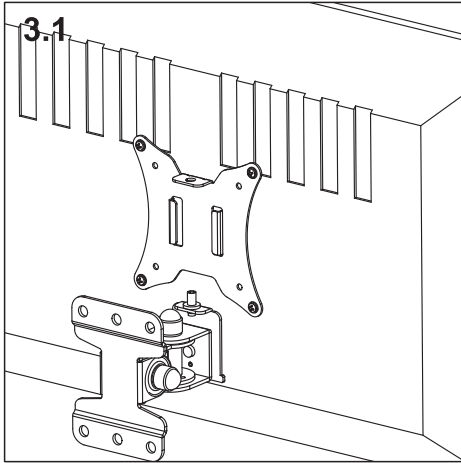
For Flat Back TV



For Curved Back TV

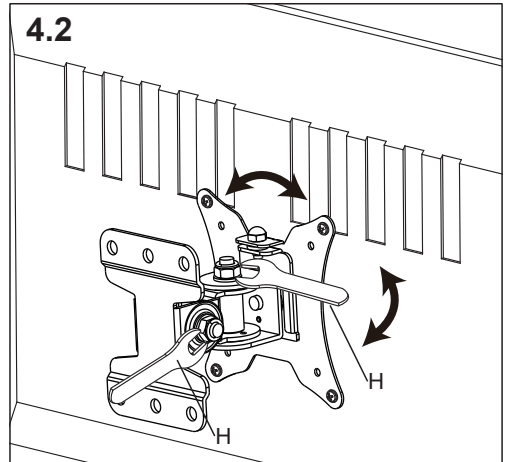
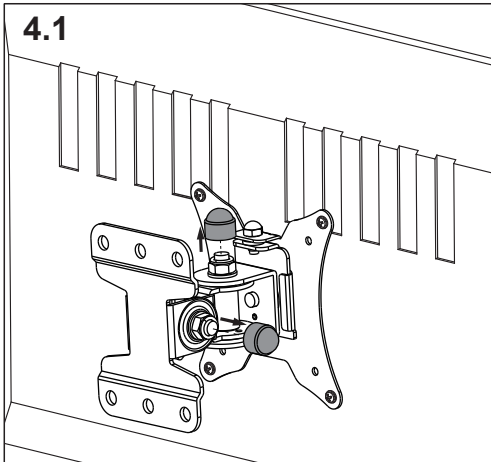
Step 3

Attaching TV to Wall Plate & Put Safety Screws



Step 4

Make the Necessary Adjustments



Fix the tilt angle

Tighten the bolt with the Wrench (H) to fix the tilt angle.

Thank you for choosing our products.