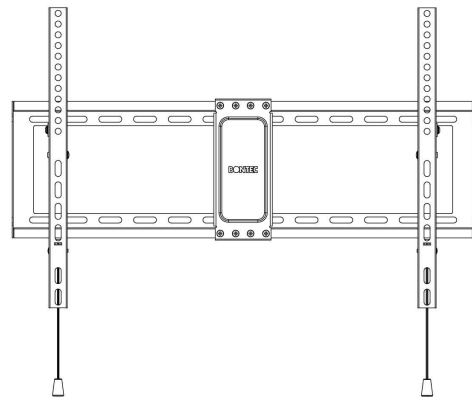


# Installation Instruction



**118MB**

## Supplied Parts List

**Wall Plate** 01 x 1

**Left TV Bracket** 03 x 1

**Right TV Bracket** 04 x 1

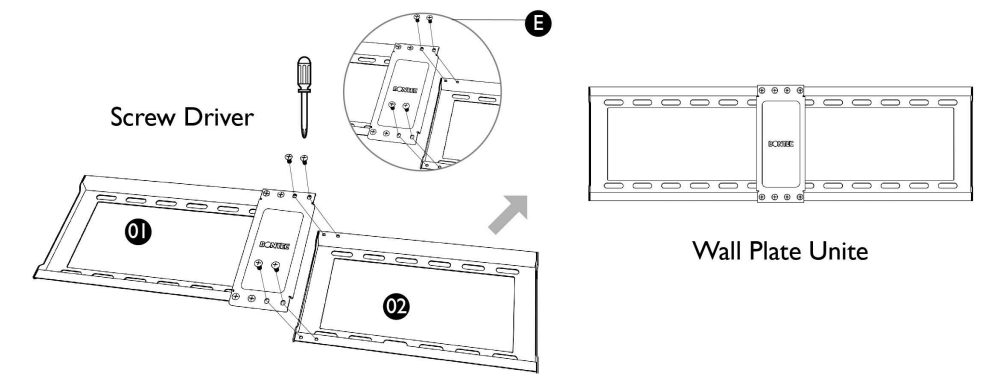
**Bubble Level** 05 x 1

**Cable tie** 06 x 5

**TV Screws / Washers**

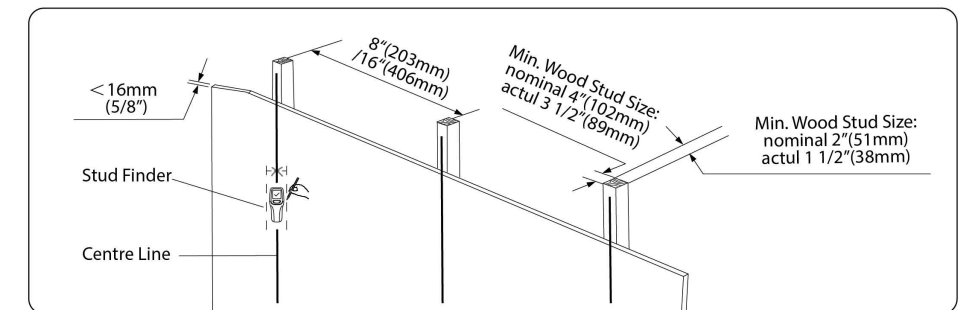
M4x12mm	M6x15mm	M8x20mm	D8x5mm	φ4 mm	φ8 mm	M6.3x55mm	A x 6
M-A x 4	M-C x 4	M-E x 4	M-G x 8	M-I x 4	M-K x 4	M10x50mm	B x 6
M4x30mm	M6x30mm	M8x50mm	D8x10mm	φ6 mm	φ6 mm	M4 Allen Key	D x 1
M-B x 4	M-D x 4	M-F x 4	M-H x 8	M-J x 4	C x 6	M5x10mm	E x 4

## STEP 1 Assemble Wall Plate



## STEP 2 Attach Wall Plate to Wall

### I. Wood Studs Wall



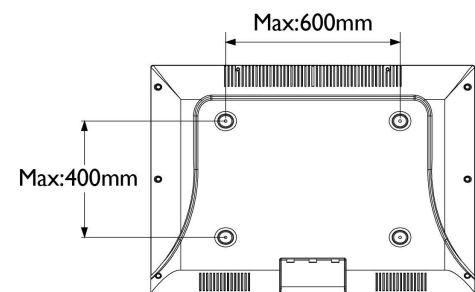
## Safety Caution

Please read this instruction carefully before installation.

- This product is designed for use in wood stud / solid concrete wall - DO NOT install into drywall alone.
- DO NOT EXCEED THE MAXIMUM WEIGHT CAPACITY FOR THIS PRODUCT.
- The wall must be capable of supporting five times the weight of the TV and mount combined.
- Do not use this product for any purpose or in any configuration not explicitly specified in this instruction.

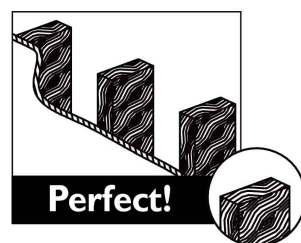
## Make Sure this Mount is Perfect for You!

1. Is your TV VESA equal to/greater than 100x100mm and equal to/less than 600x400mm?

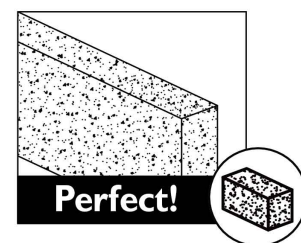


**Yes --- Perfect!**  
**NO--- This mount is NOT compatible.**

2. What is your wall made of?



Drywall with **wood studs?**



Solid concrete wall?

**CAUTION:**  
**DO NOT install into drywall alone**

## Tools Needed

Tape Measure	Pencil	Electrodrill	Screwdriver	Socket Wrench 3/8"(10mm)
<b>Wood Stud Install</b>				
	Stud Finder	5/32"(4mm) Wood Drill Bit		
<b>Concrete Install</b>				
	3/8"(10mm) Masonry Drill Bit	Hammer		

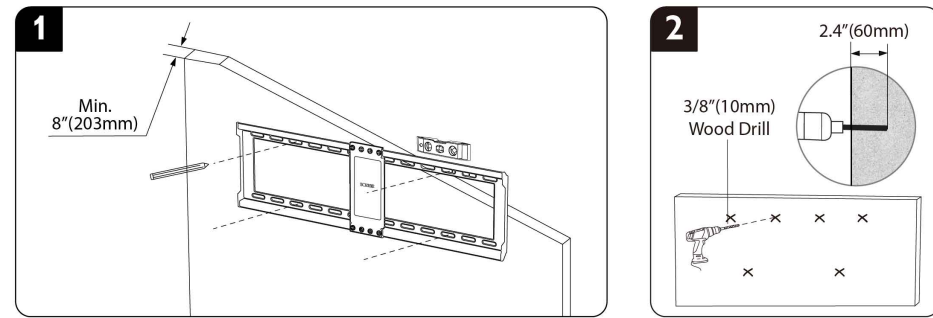
**1** Mark the mounting holes and use Bubble Level to adjust wall plate's horizontal position.

**2**

**3** Install the 4 lag bolts in the wall, using a 5/32" (4mm) diameter Drill Bit with a 3/8" (10mm) Socket Wrench. Make the distance between the wall and lag bolt is at least 5-10mm.

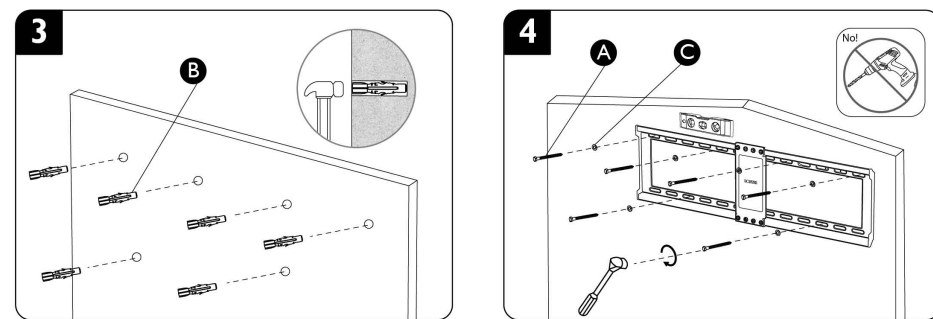
**CAUTION:**  
To avoid potential personal injury or property damage: All 4 lag bolts (N) MUST BE firmly tightened to prevent unwanted movement of the wall plate assembly. Ensure the wall plate assembly is securely fastened to the wall before continuing on to the next step.

## 2. Solid Concrete Wall



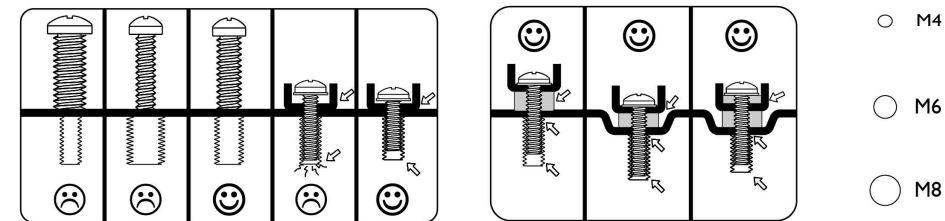
### CAUTION:

To avoid potential personal injury or property damage:  
All 6 lag bolts (N) MUST BE firmly tightened to prevent unwanted movement of the wall plate assembly. Ensure the wall plate assembly is securely fastened to the wall before continuing on to the next step.



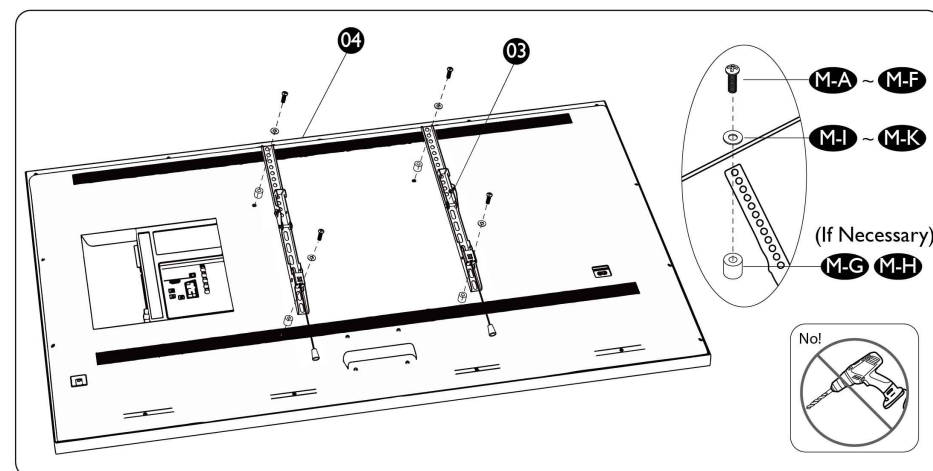
## STEP 3 Attach Brackets to TV

### Select TV Screws

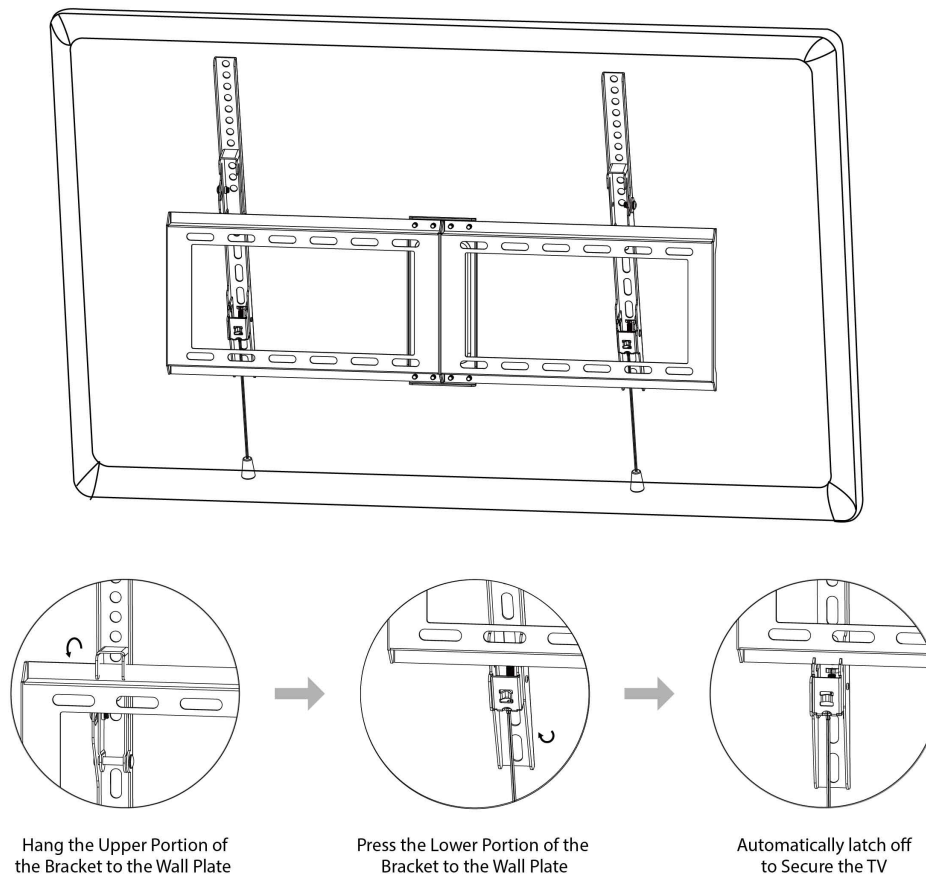


Highly recommend you to add spacers for more spacing between the wall mount and the wall.

### Flat Back TV

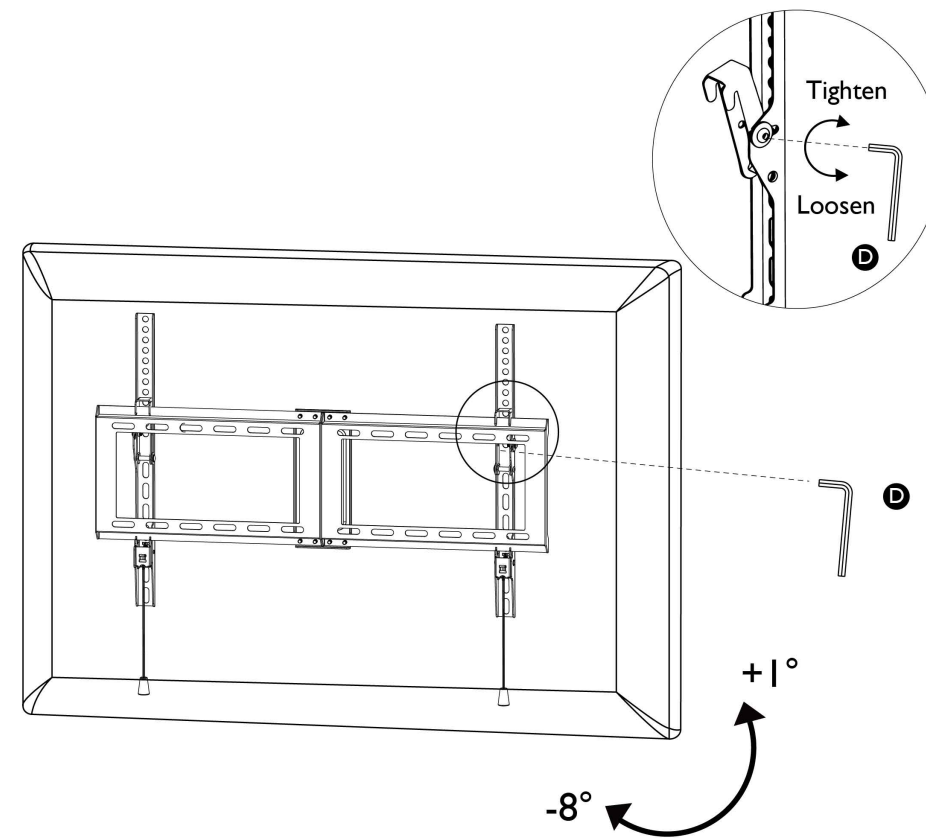


## STEP 4 Hang and Secure TV to Wall Plate

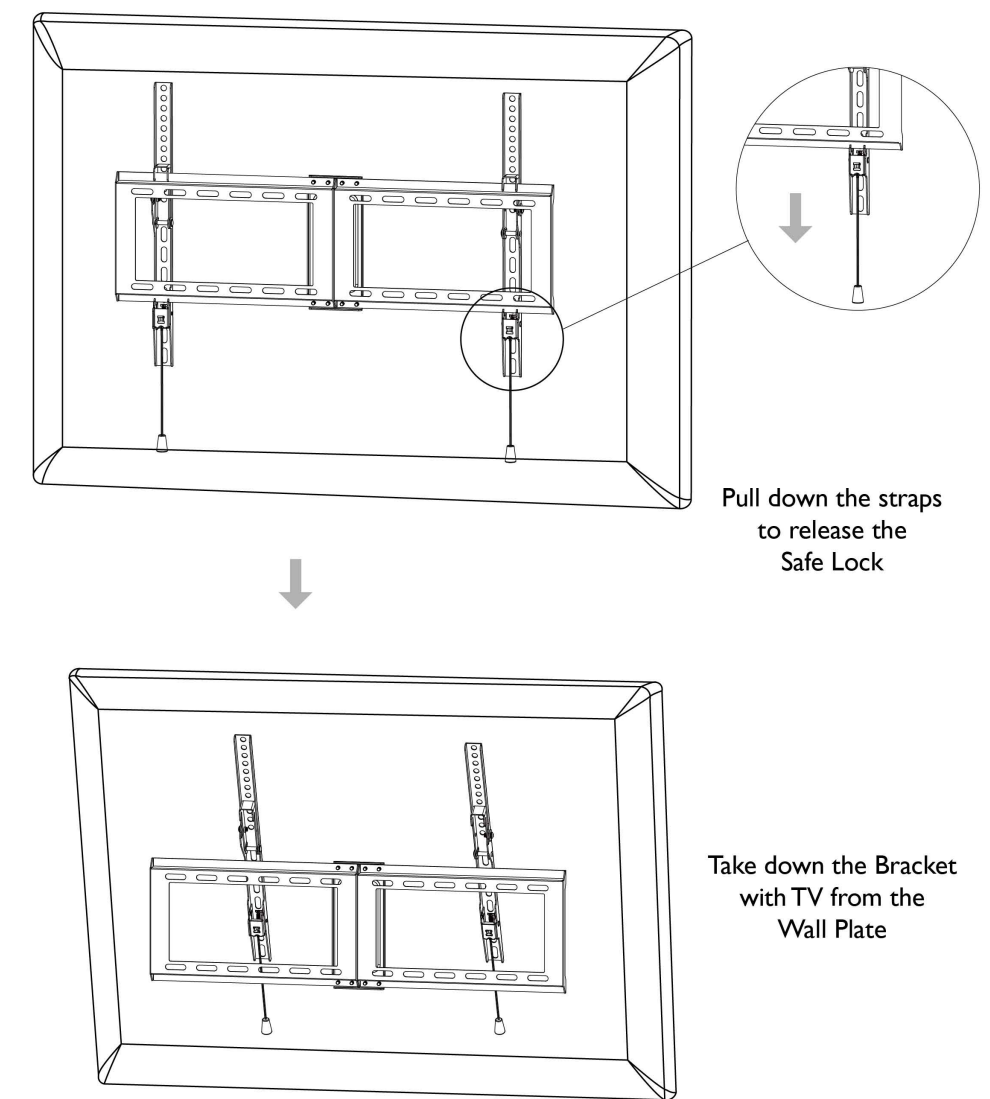


## STEP 5 Adjustment

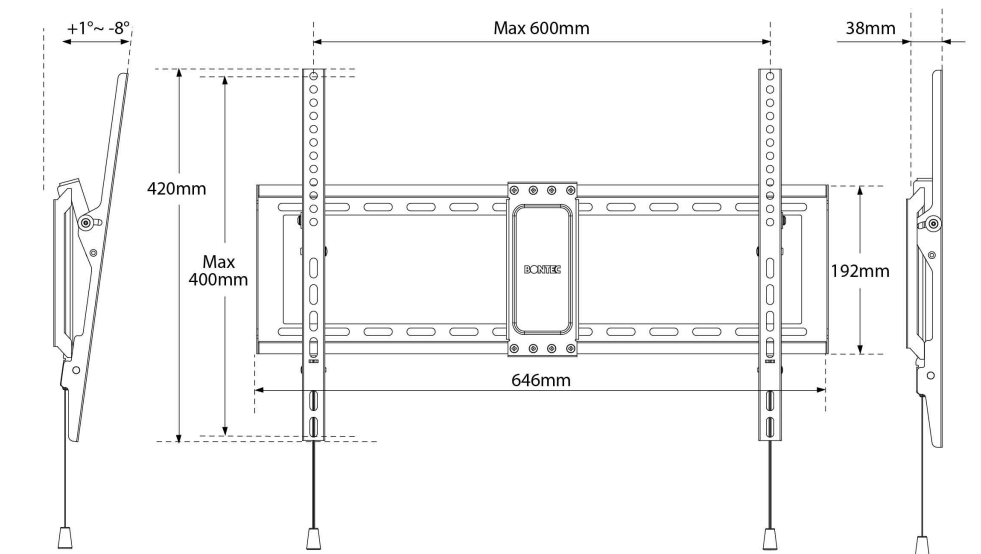
Tilting angle adjustment (+1°/-8°):  
Pull TV to your desired angle then fasten 2 tilting bolts with the Screwdriver



## How to Take the TV Down

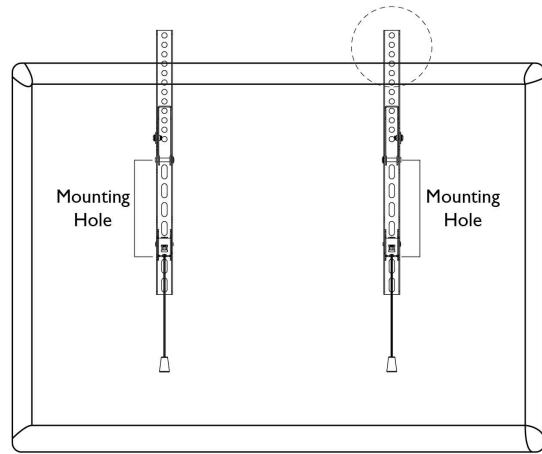


## Product Dimensions



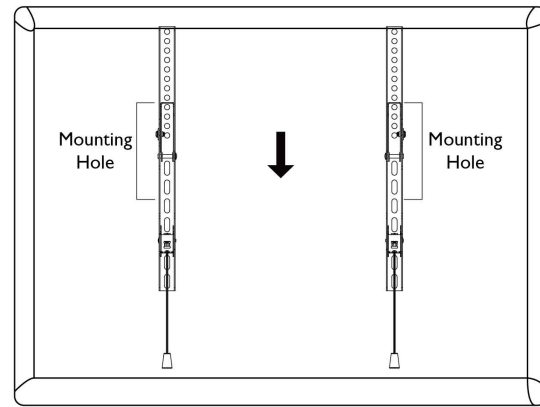
## Case

① Brackets stick out TV



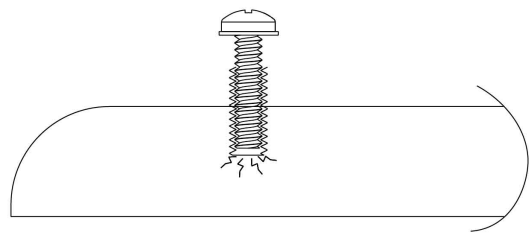
## Solution

For ① : Move Brackets downward, and use upper bolt holes to attach TV



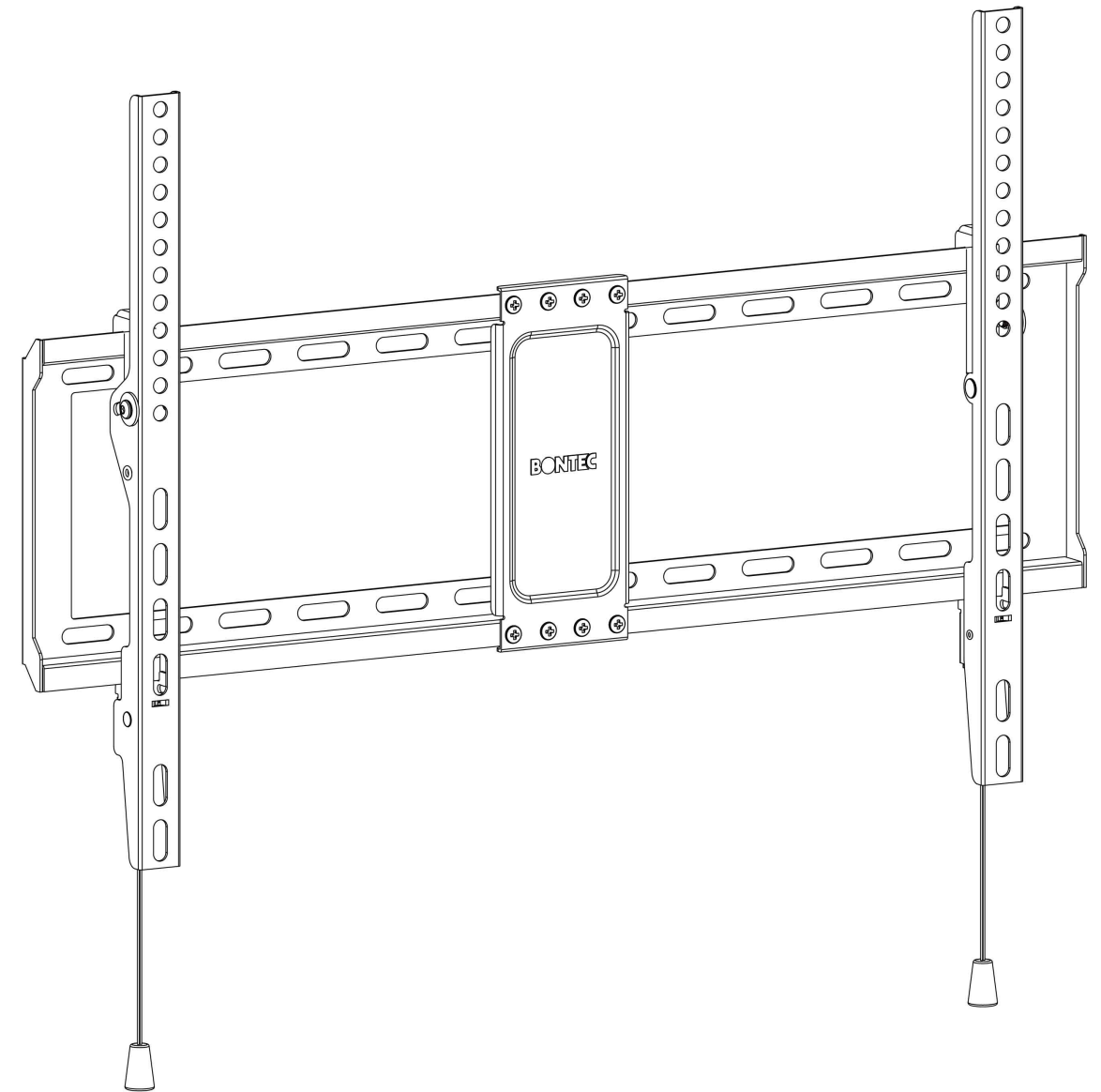
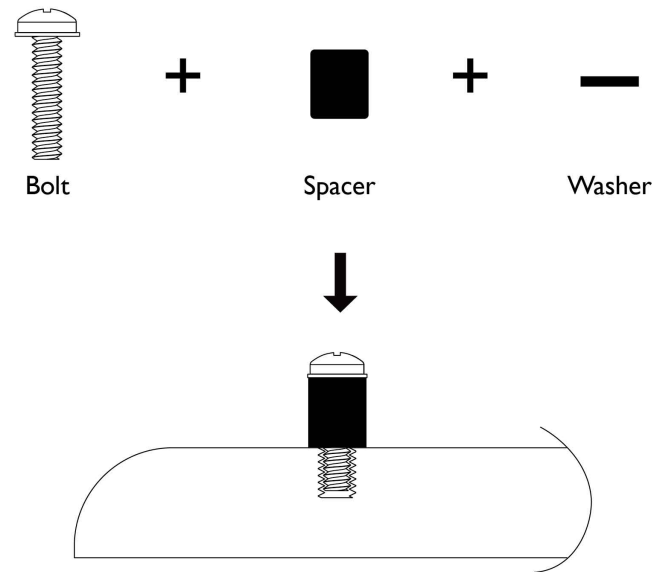
## Case

Bolts longer than bolt hole on TV



## Solution

Add spacers / washers to accommodate the bolt length

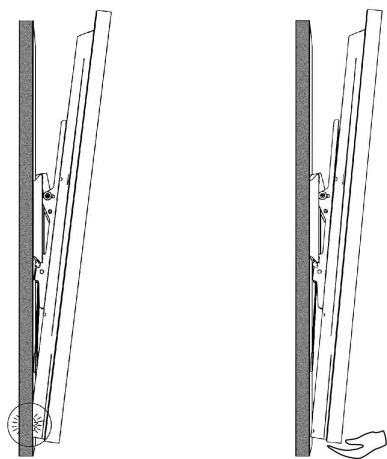


Mount shown here is indicative only. If there is any inconsistency between the image and the actual product you received, the actual product will govern.

## Cases and Solutions

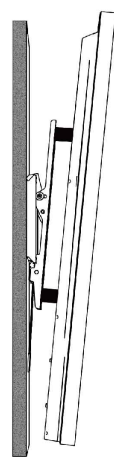
### Case

- TV bottom hits the wall
- Tilting angle doesn't reach the desired degree
- Limited operation space between wall and bracket

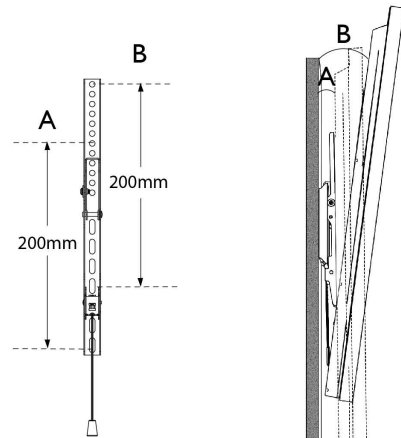


### Solution

Add spacers between bracket and TV to enlarge space

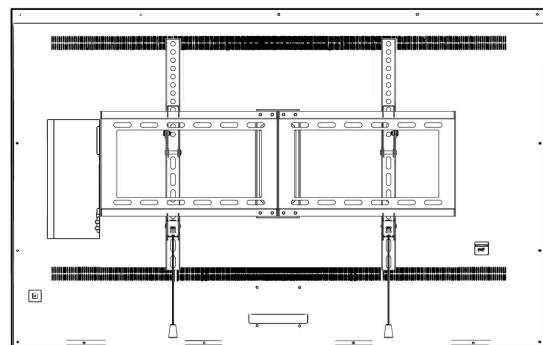


Then use upper VESA holes (like B) instead of lower ones (like A) (for VESA under 400 x 400)



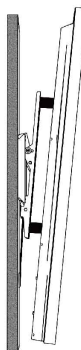
### Case

Cables blocked by mount / bracket

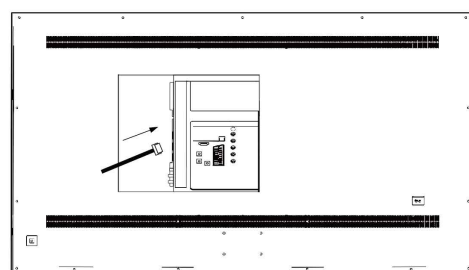


### Solution

Add spacers between bracket and TV back

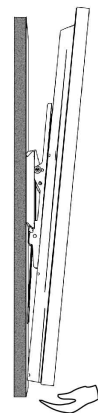


Then plug in cables first and hang up the TV



### Case

- ① Brackets cannot clip into wall plate, or hard to adjust the tilting angle
- ② Hard to take off TV from the wall mount

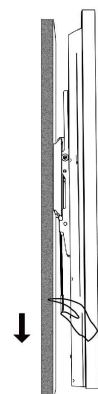


### Solution

Reduce the tilting angle to 0° first, then:

For ① : Fasten the tilting bolt to some extent, hang TV into the wall plate, clip in bracket and adjust to the desired tilting angle

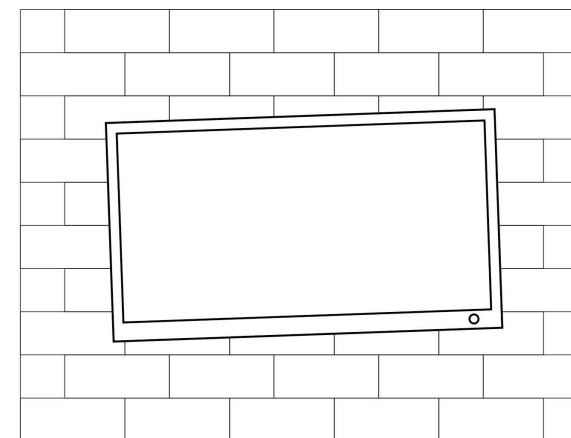
For ② : Pull down strap to take off TV from wall mount



## Cases and Solutions

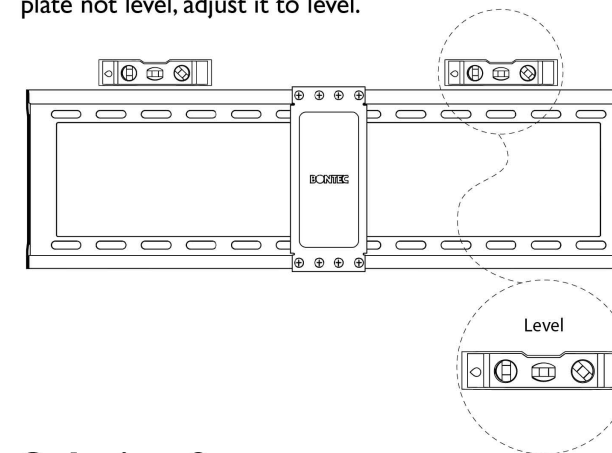
### Case

TV not level



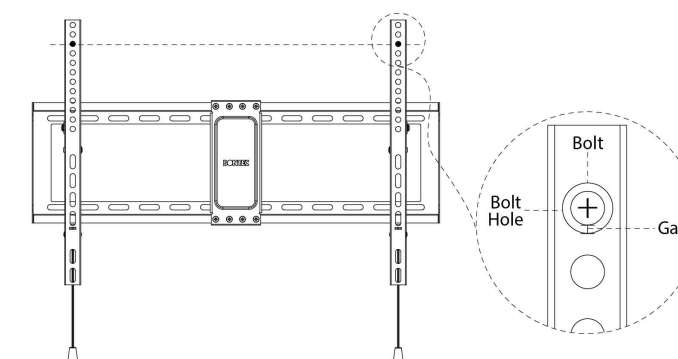
### Solution 1

Check the wall plate is level with provided bubble level. If wall plate not level, adjust it to level.



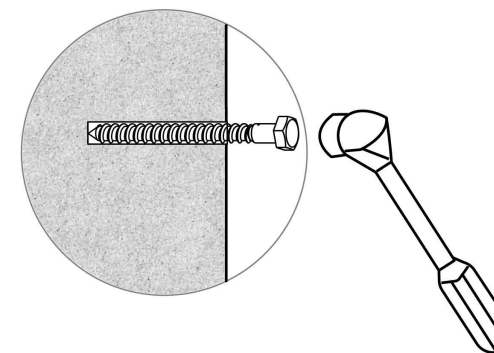
### Solution 2

Use bolt holes at same level, and pull bracket upward to reduce the gap between the hole and bolt, then fasten them finally.



### Case

The lag bolt is difficult to screw into stud



### Solution

If the lag bolt is damaged, please contact customer service for a new one to replace. And follow the installation instruction to ensure:

1. Pre-drill the pilot holes to required length
2. Use open wrench or socket wrench, rather than electronic tool, which will damage the lag bolt.

