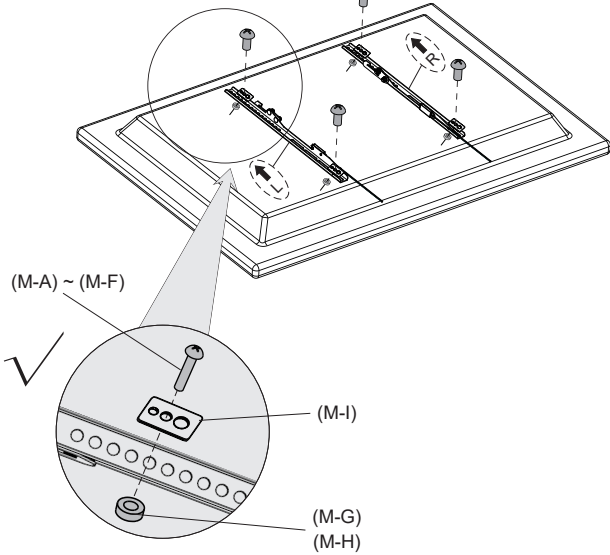
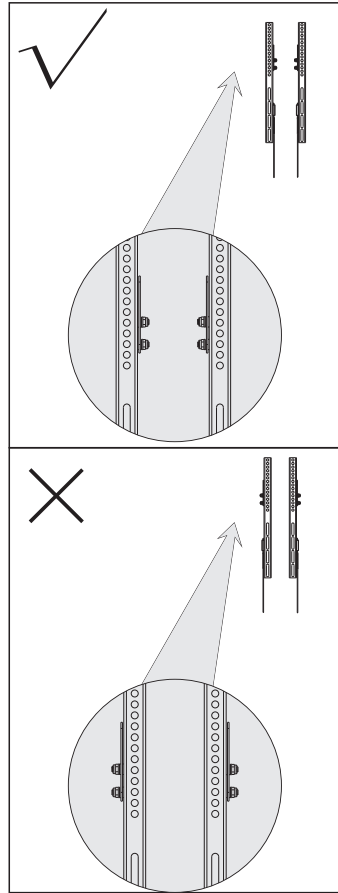
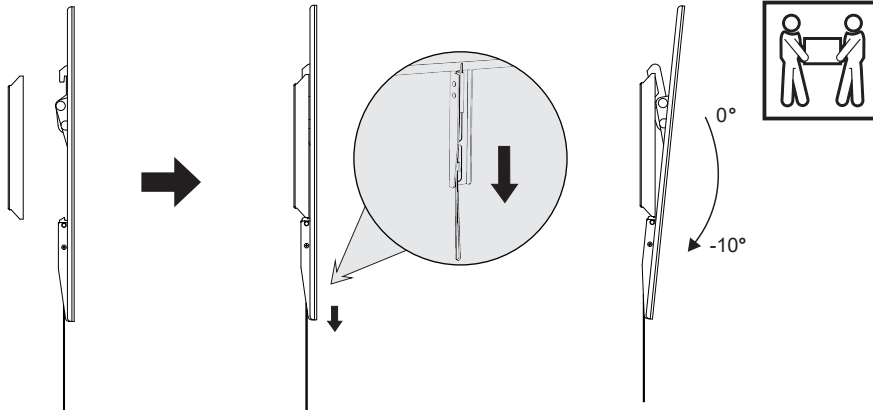


2.



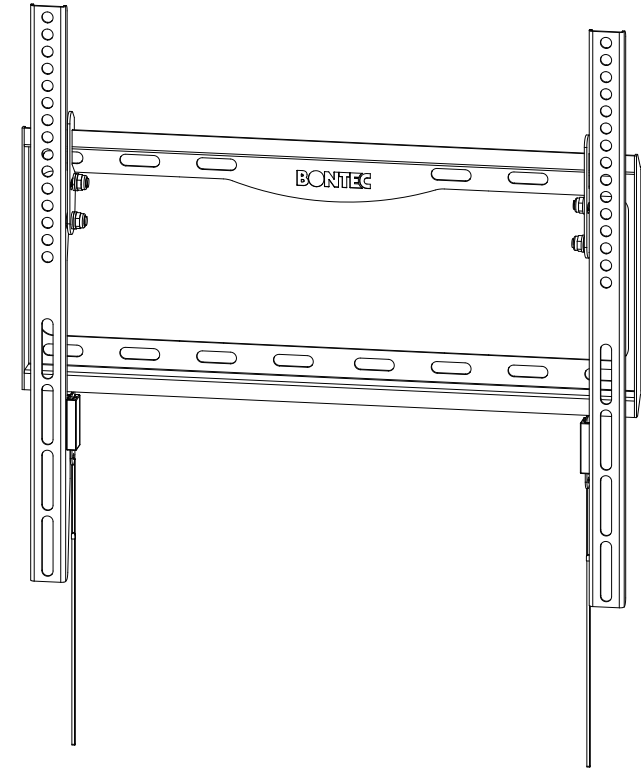
3.



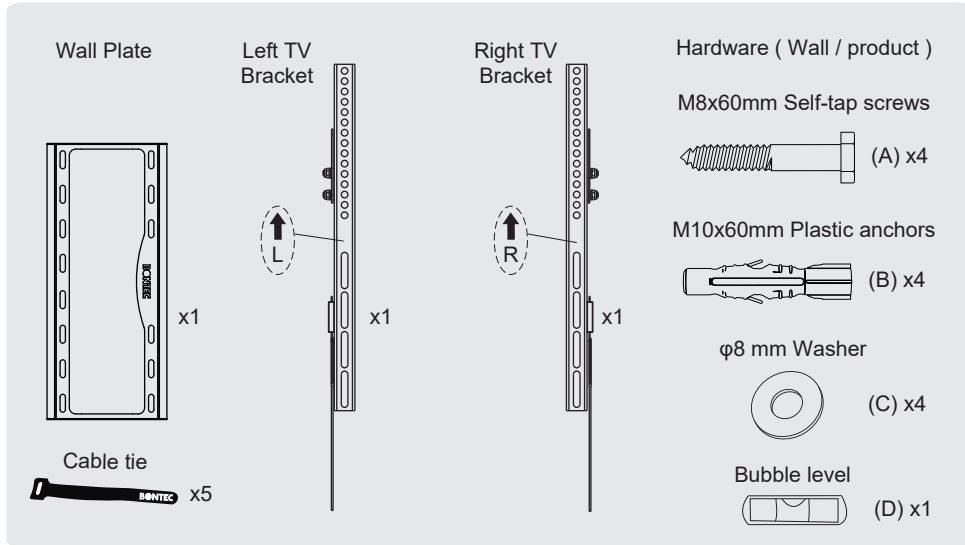
BONTEC

INSTALLATION MANUAL

TILT TV Wall Mount 115SB



Supplied Parts List



M4x12mm



(M-A) x4

M4x30mm



(M-B) x4

M6x15mm



(M-C) x4

M6x30mm



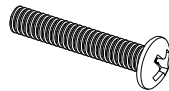
(M-D) x4

M8x15mm



(M-E) x4

M8x45mm



(M-F) x4

D8x5mm Plastic Sleeve



(M-G) x8

D8x10mm Plastic Sleeve



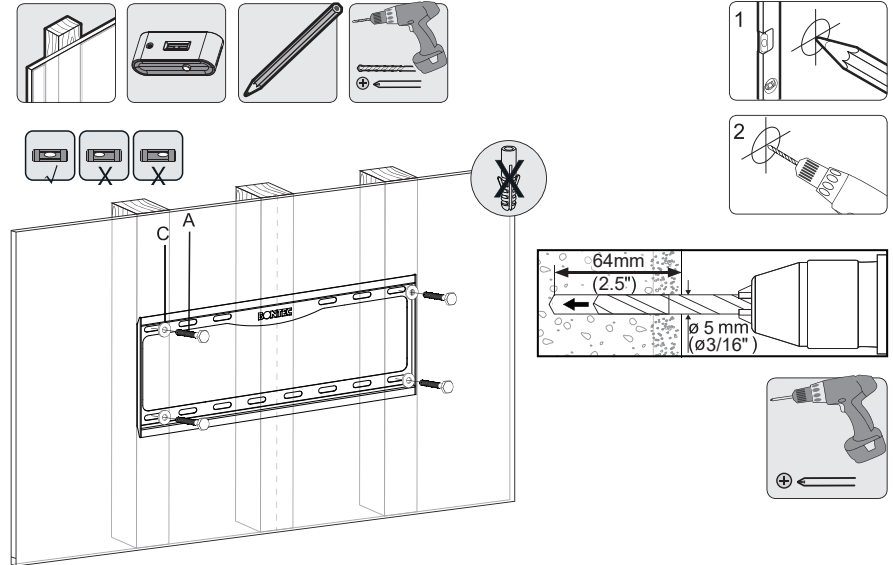
(M-H) x8

φ4/φ6/φ8 mm Washer



(M-I) x4

1a. Wood Stud Installation



1b. Concrete Wall Installation

